

Submersible Effluent Pump
Pompe Pour Effluent
Submersible
Bomba Efluente Sumergible
9E-CIA-RFS

Little Giant Pump Company
P. O. Box 12010
Oklahoma City, OK 73157-2010
405.947.2511 • Fax: 405.947.48720

ANY REPAIR ON MOTOR MUST BE DONE BY AN AUTHORIZED LITTLE GIANT SERVICE CENTER.

GB INTRODUCTION

Little Giant Submersible Effluent Pumps are recommended for use in basins or lift stations and suitable for pumping sewage, effluent, wastewater and other non-explosive, non-corrosive liquids with up to 3/4" spherical solids.

Automatic operation can be achieved with the use of the RFS Remote Float Switch. Other accessories such as basins, check valves and covers are also available.

Little Giant pumps are carefully packaged, inspected and tested to insure safe operation and delivery. When you receive your pump, examine it carefully to determine that there are no broken or damaged parts that may have occurred during shipment. If damage has occurred, make notation and notify the firm that you purchased the pump from. They will assist you in replacement or repair, if required.

SAFETY

RISK OF ELECTRIC SHOCK

This pump is supplied with a grounding conductor and grounding-type attachment plug. To reduce the risk of electric shock, be certain that it is connected only to a properly grounded, grounding-type receptacle.

Your 115V pump is equipped with a 3-prong electrical plug. The third prong is to ground the pump to prevent possible electrical shock hazard. Do not remove the third prong from the plug. A separate branch circuit is recommended. Do not use an extension cord.

When a pump is in a basin, etc., do not touch motor, pipes or water until unit is unplugged or shut off. If shut-off box is not accessible, call the electric company to shut off service to the house, or call your local fire department for instructions. Failure to follow this warning can result in fatal electrical shock.

The flexible PVC jacketed cord assembly mounted to the pump must not be modified in any way, with the exception of shortening the cord to fit into a control panel. Any splice between the pump and the control panel must be made within a junction box and mounted outside of the basin, and comply with the National Electrical Code. Do not use the power cord for lifting the pump.

The pump motor is equipped with an automatic resetting thermal protector and may restart unexpectedly. Protector tripping is an indication of motor overloading as a result of excessively high or low voltage, inadequate wiring, incorrect motor connections, or a defective motor or pump.

OPERATION

TESTING PUMP OPERATION

RFS SERIES SEWAGE EJECTOR PUMPS:

1. These pumps are equipped with a remote float switch.
2. These pumps are installed in a basin with a sealed cover, so switch operation cannot be observed. The sump cover usually will have a spare hole that is plugged with a rubber plug. This plug can be removed and switch operation can be observed.
3. Plug power cord and remote float switch power cord into a grounded receptacle with voltage consistent with pump voltage as indicated on pump nameplate.
4. Run water into basin until pump starts.
5. Be sure gate valve in discharge line is open.
6. Allow pump to operate through several on-off cycles.

MANUAL SEWAGE EJECTOR PUMPS:

The pump cord for these pumps can be plugged directly into a properly grounded receptacle with voltage consistent with pump nameplate for continuous pump operation.

CAUTION: This type of operation should be used only for emergency use or when a large volume of water is to be pumped. Pump must not be allowed to run dry. If pump is run dry, it may damage pump and void the warranty.

MAINTENANCE

If pump does not operate properly, consult the troubleshooting chart. If trouble cannot be located with these steps shown, consult your pump dealer or take pump to a Little Giant authorized service center.

CAUTION: When working on pump or switch, always unplug pump power cord in addition to removing fuse or shutting off circuit breaker before working on pump.

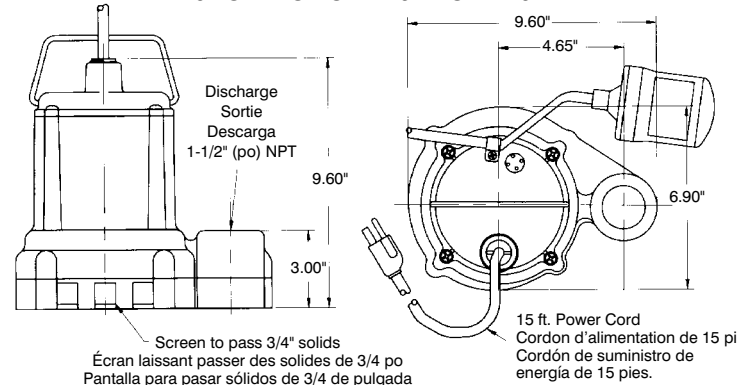
CLEANING IMPELLER AND VOLUTE

1. Remove screws that hold volute to motor housing.
2. Remove volute and clean impeller and volute passage. Do not use strong solvents on impeller.
3. Be sure impeller turns freely after cleaning.
4. **WARNING: DO NOT REMOVE IMPELLER. REMOVAL OF IMPELLER REQUIRES SPECIAL TOOLS AND IS TO BE DONE ONLY BY AN AUTHORIZED SERVICE CENTER. DO NOT REMOVE MOTOR HOUSING COVER. WARRANTY IS VOID IF MOTOR HOUSING COVER, IMPELLER OR SEALS HAVE BEEN REMOVED.**

SPECIFICATIONS

Discharge Size:	1-1/2" NPT Vertical
Intake Size:	3/4" Screened Opening
Pump Housing:	Cast Iron
Volute:	Cast Iron
Screen:	ABS
Impeller:	Vortex design, with pressure relief vanes
Motor:	Single phase induction, 1750 RPM, with automatic reset thermal overload protection.
Hardware:	300 Series Stainless Steel
Thrust Bearing:	Double shielded ball
Radial Bearing:	Sleeve - permanent lubrication
Pump Shaft Seal:	Mechanical, spring loaded, stationary carbon with Nitrile boot and rotating ceramic seat.
Power Cord:	16 AWG 3-conductor, copper, stranded
Cooling:	The motor housing contains a cooling oil to provide cooling for the motor and to lubricate bearings and seals. These pumps are capable of operating with the motor housing partially exposed for extended periods of time, providing sufficient motor cooling and bearing lubrication. However, for the best cooling and longest motor life, the liquid level being pumped should normally be above the top of the cast iron motor housing.

9E SERIES • SÉRIE 9E • SERIE 9E



SAFETY GUIDELINES

1. Read all instructions and Safety Guidelines thoroughly. Failure to follow the guidelines and instructions could result in serious bodily injury and/or property damage.
2. **DO NOT USE TO PUMP FLAMMABLE OR EXPLOSIVE FLUIDS SUCH AS GASOLINE, FUEL OIL, KEROSENE, ETC. DO NOT USE IN EXPLOSIVE ATMOSPHERES OR HAZARDOUS LOCATIONS AS CLASSIFIED BY NEC, ANSI/NFPA70. FAILURE TO FOLLOW THIS WARNING CAN RESULT IN PERSONAL INJURY AND/OR PROPERTY DAMAGE.**
3. During normal operation the sump pump is immersed in water. Also, during rain storms, water may be present in the surrounding area of the pump. Caution must be used to prevent bodily injury when working near the pump:
 - a. The plug must be removed from the receptacle prior to touching, servicing or repairing the pump.
 - b. To minimize possible fatal electrical shock hazard, extreme care should be used when changing fuses. Do not stand in water while changing fuses or insert your finger into the fuse socket.
4. Do not run the pump in a dry basin. If the pump is run in a dry basin, the surface temperature of the pump will rise to a high level. This high level could cause skin burns if the pump is touched and will cause serious damage to your pump.
5. Do not oil the motor. The pump housing is sealed. A high grade dielectric oil devoid of water has been put into the motor housing at the factory. Use of other oil could cause serious electric shock and/or permanent damage to the pump.
6. This pump's motor housing is filled with a dielectric oil for motor heat transfer and lifetime lubrication of the bearings. This oil is non-toxic to aquatic life. However, suffocation can occur if oil is left on the water surface. If oil escapes the motor housing it can be removed from the surface quickly by placing newspapers on the water surface to soak up the oil.
7. In any installations where property damage and/or personal injury might result from an inoperative or leaking pump due to power outages, discharge line blockage, or any other reason, a backup system(s) and/or alarm should be used.

INSTALLATION

Pump must be installed in a suitable gas tight basin which is at least 18" in diameter and 24" deep.

Pumps features a 1-1/2" female NPT discharge.

Pump can be installed with ABS, PVC, polyethylene or galvanized steel pipe. Proper adapters are required to connect plastic pipe to pump.

Pump must be placed on a hard level surface. Never place pump directly on clay, earth or gravel surfaces.

A check valve must be used in the discharge line to prevent back flow of liquid into the basin. The check valve should be a free flow valve that will easily pass solids.

CAUTION: For best performance of check valves, when handling solids install in a horizontal position or at an angle or no more than 45°. Do not install check valve in a vertical position as solids may settle in valve and prevent opening on start-up.

When a check valve is used, drill a relief hole (1/8" or 3/16" diameter) in the discharge pipe. This hole should be located below the floor line between the pump discharge and the check valve. Unless such a relief hole is provided, the pump could "air lock" and will not pump water even though it will run.

WIRING

Check local electrical and building codes before installation. The installation must be in accordance with their regulations as well as the most recent National Electrical Code (NEC).

To conform to the National Electrical Code all pumps must be wired with 14 AWG or larger wire. For runs to 250 feet 14 AWG wire is sufficient. For longer runs consult a qualified electrician or the factory.

Pump should be connected or wired to its own circuit with no other outlets or equipment in the circuit line. Fuses and circuit breaker should be of ample capacity in the electrical circuit. See chart below.

H.P.	VOLTAGE	FUSE OR CIRCUIT BREAKER AMPS
1/3 or 4/10	115	20
1/3 or 4/10	230	15

REMOTE FLOAT SWITCH LEVEL CONTROL

The RFS series pumps are equipped with a remote float switch level control. This level control is sealed in a polypropylene float cylinder. For automatic operation, the pump must be plugged or wired into a remote float switch. Pump will run continuously if plugged directly into an electrical outlet.

When the level rises in the basin, the cylinder floats up with the level. When the cylinder position is at an angle of about 45° the switch activates and starts the pump motor.

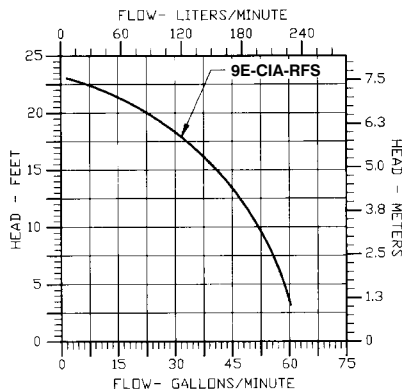
As the level draws down, the cylinder floats down and when it is again at an angle of about 45°, the switch deactivates, and the pump motor stops.

NOTE: BE CERTAIN PUMP IS SECURE IN BASIN AND CYLINDER FLOATS UNOBSTRUCTED WITHOUT TOUCHING THE BASIN WALLS OR PLUMBING.

REMOTE FLOAT SWITCH INSTALLATION

- The float switch consists of three parts: switch, cord clamp, clamp screw. NOTE: If screw is lost, use a #10-16 x 1/2" long tapping screw.
- Attach cord clamp to pump cover as shown in Fig. 1. The clamp must be positioned as shown to allow free operation of float. Be sure to locate pump and switch power cords away from switch float.
- A 2-1/2" tether length is recommended. When a tether length of 2-1/2" is used, a minimum basin diameter of 18" is recommended. The tether length is measured as shown in Fig. 1.
- After desired tether length is established hand tighten clamp screw.

PERFORMANCE CURVE



TYPICAL INSTALLATION • INSTALLATION TYPE • INSTALACION TIPICA

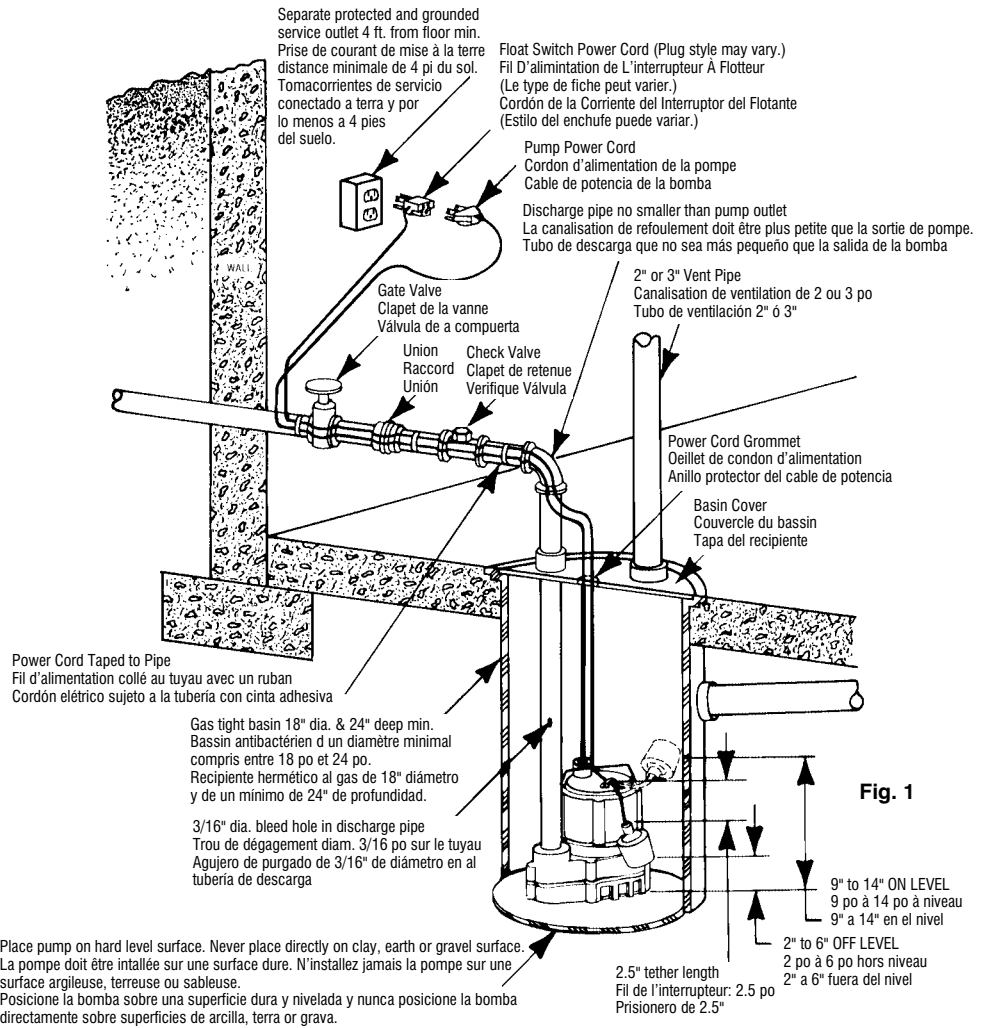


Fig. 1

- TESTING:** Without water in basin plug pump power cord into switch in-line-plug. Plug switch into outlet. Lift float and watch for pump to operate. Do not run pump for more than five seconds.

LIMITED WARRANTY SUMP, EFFLUENT, & RESIDENTIAL SEWAGE

INTRODUCTION

Little Giant #6E, #8E, #9E, #10E, #14EH, and #16EH Series Submersible Effluent Pumps are recommended for use in sumps, basins or lift stations and suitable for pumping basement drainage water, effluent, wastewater and other non-explosive, non-corrosive, non-abrasive liquids not above 140°F with up to 3/4 inch spherical solids (1/2 inch on 6E models) handling ability. (NOT TO BE USED FOR SEWAGE WATER EXCEPT TO PUMP SEPTIC TANK EFFLUENT)

Each of the above noted Little Giant products is guaranteed to be in perfect condition when it leaves our factory. During the time periods and subject to the conditions hereinafter set forth, LITTLE GIANT PUMP COMPANY, Subsidiary of TECUMSEH PRODUCTS COMPANY will repair or replace to the original user or consumer any portion of your new LITTLE GIANT product which proves defective due to materials or workmanship of LITTLE GIANT. Contact your nearest Authorized Little Giant Service Station for warranty service. At all times LITTLE GIANT shall have and possess the sole right and option to determine whether to repair or replace defective equipment, parts, or components. Damage due to lightning or conditions beyond the control of LITTLE GIANT is NOT COVERED BY THIS WARRANTY.

WARRANTY PERIOD

PUMPS: 12 months from date of installation or 18 months from date of manufacture, whichever occurs first.

LABOR, ETC. COSTS: LITTLE GIANT shall IN NO EVENT be responsible or liable for the cost of field labor or other charges incurred by any customer in removing and/or affixing any LITTLE GIANT product, part or component thereof.

THIS WARRANTY WILL NOT APPLY:

- to defects or malfunctions resulting from failure to properly install, operate, or maintain the unit in accordance with printed instructions provided;
- to failures resulting from abuse, accident or negligence;

MODEL NO.	LISTING	HP	VOLTS	SOLIDS SIZE (Dia. In.)	AMPS/WATTS	GALLONS PER MINUTE @ HEAD (Ft.)				SHUT OFF (Ft.)	P.S.I.	PWR. CORD (Ft.)	WT. (Lbs.)
						5'	10'	15'	20'				
9E-CIA-RFS	UL/CSA	4/10	115	1-1/2	12.3/1000	57	53	40	20	23	10.0	15	33

- 3) to normal maintenance services and the parts used in connection with such service
- 4) to units which are not installed in accordance with applicable local codes, ordinances and good trade practices;
- 5) if unit is used for purposes other than for what it was designed and manufactured.
- 6) If pump exposed to but not limited to the following: sand, gravel, cement, grease, plaster, mud, tar, hydrocarbons, or hydrocarbon derivatives (oil, gasoline, solvents, etc.) or other abrasive or corrosive substances;
- 7) if pump has been used for continuous pumping of suitable liquids above 140°F.
- 8) if cord cut off to a length less than three feet;
- 9) if pump has been dismantled by customer; (Authorized Little Giant Service Stations only can dismantle pump for field service.)

RETURN OR REPLACED PRODUCT: Any product to be replaced under the Warranty must be returned to LITTLE GIANT at Oklahoma City, OK or such other place as LITTLE GIANT may designate, freight prepaid.

PRODUCT IMPROVEMENTS: LITTLE GIANT reserves the right to change or improve its products or any portions thereof without being obligated to provide such a change or improvement for units sold and/or shipped prior to such change or improvement.

DISCLAIMER: Any oral statements about the product made by the seller, the manufacturer, the representatives or any other parties, do not constitute warranties, shall not be relied upon by the user, and are not part of the contract for sale. Seller's and manufacturer's only obligation, and buyer's only remedy, shall be the replacement and/or repair by the manufacturer of the product as described above. Neither seller nor the manufacturer shall be liable for any injury, loss or damage, direct, incidental or consequential (including, but not limited to, incidental or consequential damages for lost profits, lost sales, injury to person or property, or any other incidental or consequential loss), arising out of the use or the inability to use the product, and the sure agrees that no other remedy shall be available to it. Before using, the user shall determine the suitability of the product for his intended use, and user assumes all risk of liability whatsoever in connection therewith. The warranty and remedy described in this limited warranty is an EXCLUSIVE warranty and remedy and is IN LIEU OF any other warranty or remedy, expressed or implied, which other warranties and remedies are hereby expressly EXCLUDED, including but not limited to any implied warranty of MERCHANTABILITY OR FITNESS FOR A PARTICULAR PURPOSE. Some states do not allow the exclusive or limitation of incidental or consequential damages, so the above limitation or exclusion may not apply to you. This warranty gives you specific legal rights, and you may also have other rights which vary from state to state.

In the absence of other suitable proof of the installation date, the effective date of this warranty will be based upon the date of manufacture plus one year. Direct All Notices, etc. To: Service Department, LITTLE GIANT PUMP COMPANY, 301 N. MacArthur, Oklahoma City, OK 73127-6616.

DETERMINATION OF UNIT DATE OF MANUFACTURE: (9-87) month and year stamped on pump and/or serial number on pump nameplate coded to indicate year of manufacture.

F INTRODUCTION

Les pompes submersibles à effluent Little Giant sont recommandées pour des réservoirs ou des bassins de transfert. Elles conviennent également pour le pompage des eaux d'égout, de l'effluent, des eaux usées ou d'autres liquides qui ne sont ni explosifs, ni corrosifs et qui peuvent comporter des solides sphériques allant jusqu'à ¾ po de diamètre.

La pompe peut fonctionner automatiquement grâce à l'interrupteur à flotteur RFS. D'autres accessoires, tels que des réservoirs, des clapets de retenue et des couvercles sont également disponibles.

Les pompes Little Giant sont soigneusement emballées, et testées pour assurer une livraison et un fonctionnement sans problèmes. Lorsque vous recevez votre pompe, examinez-la attentivement pour vous assurer qu'il n'y a pas eu de pièce cassée ou endommagée pendant l'acheminement. S'il y a eu des dégâts, prenez-en note et signalez-le au magasin où vous avez acheté la pompe. Ils vous aideront pour le remplacement ou la réparation, si nécessaire. Cette pompe est conçue pour pomper de l'eau. NE POMPEZ PAS de produit chimique, de solvant, d'eau salée, ou de liquides épais tels que des huiles ou de la graisse.

SÉCURITÉ

DANGER D'ÉLECTROCUTION

Cette pompe est équipée d'un conducteur de terre et d'une prise de terre mâle. Pour éviter tout danger d'électrocution, s'assurer que la prise est connectée à une prise de courant bipolaire plus terre.

Votre pompe à effluent 115V est munie d'une fiche électrique à trois branches.. La troisième branche a pour fonction de mettre la pompe à la terre afin de prévenir tout choc électrique. Ne pas couper cette troisième branche. Il est recommandé de brancher la pompe à un circuit indépendant. Éviter d'utiliser une rallonge.

Lorsqu'une pompe est dans un réservoir, éviter de toucher au moteur, aux tuyaux ou à l'eau si la pompe n'est pas débranchée ou hors tension. Si le panneau électrique n'est pas accessible, communiquer avec votre compagnie d'électricité pour qu'elle coupe l'alimentation de la maison, ou avec votre service d'incendie pour connaître la marche à suivre dans ces circonstances. Le non-respect de cet avertissement pourrait résulter en un choc électrique fatal.

Le fil d'alimentation flexible de la pompe, gainé de PVC, ne doit être modifié d'aucune façon, sauf pour être raccourci afin qu'il entre dans un panneau de commande. Toute épissure entre la pompe et le panneau de commande doit être faite à l'intérieur d'une boîte d'accouplement et installée hors du réservoir; elle doit aussi être conforme au Code national de l'électricité. Ne pas soulever la pompe à l'aide du fil d'alimentation.

Le moteur de la pompe est pourvu d'un dispositif de protection thermique à démarrage automatique ; elle peut redémarrer à tout moment. Le déclenchement du dispositif de protection indique une surchauffe du moteur provoquée par un voltage excessif ou insuffisant, un câblage non approprié, des erreurs de raccordement du moteur, une défaillance du moteur ou une défaillance de la pompe.

FONCTIONNEMENT

VÉRIFICATION DU BON FONCTIONNEMENT DE LA POMPE

POMPE À ÉJECTEUR POUR FOSSE SEPTIQUE, SÉRIE RFS

1. Ces pompes sont pourvues d'un interrupteur à flotteur.
2. Ce type de pompe est installé dans des réservoirs dotés d'un couvercle scellé; il est donc impossible d'observer l'interrupteur. Le couvercle du puisard comporte habituellement un trou bouché par une pièce en caoutchouc. En enlevant ce bouchon, il est alors possible d'observer le fonctionnement de l'interrupteur.
3. Brancher les fils d'alimentation de la pompe et de l'interrupteur dans une prise mise à la terre en s'assurant que la tension de celle-ci correspond à la tension indiquée sur la plaque signalétique.
4. Remplir le réservoir d'eau jusqu'à ce que la pompe se mette en marche.
5. S'assurer que la vanne à obturateur du conduit de sortie est ouverte.
6. Laisser la pompe s'allumer et s'éteindre à plusieurs reprises.

POMPE MANUELLE À ÉJECTEUR À FOSSE SEPTIQUE

Pour une utilisation continue, il est possible de raccorder la pompe directement à une prise correctement mise à la terre si la tension de la prise correspond à celle indiquée sur la plaque signalétique.

MISE EN GARDE: N'utiliser la pompe de cette façon qu'en cas d'urgence ou lorsqu'une grande quantité d'eau doit être pompée. La pompe ne doit pas fonctionner à sec. Si cela se produisait, celle-ci pourrait s'endommager, et la garantie ne serait plus valide.

ENTRETIEN

Si la pompe ne fonctionne pas convenablement, consultez le tableau de relèvement des dérangements. Si vous pouvez identifier le problème en suivant les étapes indiquées, consultez le fournisseur de votre pompe ou rappez la pompe à un centre de service autorisé Little Giant.

MISE EN GARDE: Avant tout entretien ou réparation effectué sur la pompe ou l'interrupteur, toujours débrancher la pompe et retirer le fusible (ou déclencher le disjoncteur).

NETTOYAGE DE LA TURBINE ET DE LA VOLUTE

1. Retirer les vis qui fixent la volute au boîtier du moteur.
2. Retirer la volute et nettoyer la turbine ainsi que le passage de la volute. Éviter d'utiliser de puissants solvants sur la turbine.
3. Veillez à ce que la turbine tourne librement une fois le nettoyage terminé.
4. **AVERTISSEMENT : LAISSEZ LA TURBINE EN PLACE. LE RETRAIT DE LA TURBINE NÉCESSITE DES OUTILS SPÉCIAUX ET NE PEUT ÊTRE EFFECTUÉ QU'À UN CENTRE DE SERVICE AUTORISÉ.**

LAISSEZ LE COUVERCLE DU BOÎTIER DU MOTEUR EN PLACE. LE RETRAIT DU COUVERCLE DU BOÎTIER DU MOTEUR, DE LA TURBINE OU DES JOINTS ANNULE LA GARANTIE.

TOUTE RÉPARATION DU MOTEUR DOIT ÊTRE EFFECTUÉE À UN CENTRE DE SERVICE AUTORISÉ LITTLE GIANT .

CARACTÉRISTIQUES TECHNIQUES

Taille D'écoulement:	1-1/2 po NPT vertical
Taille D'aspiration:	Ouverture grillagée de 3/4 po
Boîtier de la pompe:	Fonte
Volute:	Fonte
Grille:	ABS (thermoplastique)
Turbine:	Nylon à conception tourbillonnaire, avec des aubes de surpression.
Moteur:	À induction à phase auxiliaire, 1750 tours/min, avec protection automatique contre les surchauffes.
Attaches:	Acier inoxydable, série 300
Palier à Butée:	Billes
Palier Radial:	Manchon - lubrification permanente
Joint D'étanchéité de L'arbre:	Mécanique, à ressort, stationnaire, en carbone avec siège rotatif en céramique
Cordon d'alimentation:	16 AWG en cuivre, 3 conducteurs, câblé
Refroidissement:	Le boîtier du moteur renferme une huile de refroidissement pour le moteur, qui lubrifiera aussi les paliers et les joints d'étanchéité. Même si le boîtier du moteur était partiellement exposé, ces pompes pourraient fonctionner pour de longues périodes de temps, à condition que le refroidissement et la lubrification soient adéquats. Toutefois, il est recommandé que le niveau du liquide à pomper soit au-dessus du boîtier de fonte afin d'assurer le meilleur refroidissement possible et de prolonger la durée de vie du moteur.

DIRECTIVES DE SÉCURITÉ

1. Bien lire les instructions du Guide de sécurité. Le non-respect des consignes de sécurité peut causer de graves blessures ou des dommages à la propriété, ou les deux.

- Ne pas utiliser pour pomper des liquides explosifs ou inflammables (essence, huile, kérosène, etc.) Ne pas utiliser dans des environnements explosifs ou des lieux considérés comme dangereux (voir Code nat. de l'Élect., ANSI/NFPA70). Le non-respect de cette mesure de sécurité peut causer des dommages ou des blessures.
- Durant le fonctionnement normal du système, la pompe à puisard est immergée, donc invisible. De plus, pendant les orages, il pourrait y avoir de l'eau autour de la pompe. C'est pourquoi il faut faire attention si on travaille près de celle-ci.
 - Débrancher la pompe avant d'y toucher ou d'en faire l'entretien ou la réparation.
 - Afin de réduire le risque d'électrocution, faire preuve d'une grande prudence pendant le remplacement des fusibles. Ne pas avoir les pieds dans l'eau pendant le remplacement des fusibles et ne pas insérer le doigt dans les clorets de fusibles.
- Ne pas faire fonctionner la pompe dans un réservoir à sec. Si cela se produisait, la température de surface de la pompe deviendrait assez élevée pour causer de graves brûlures et endommager sérieusement la pompe.
- Ne pas lubrifier le moteur. Le boîtier de la pompe est scellé. De l'huile diélectrique de haute qualité sans eau a été mise dans le boîtier en usine. L'utilisation d'un autre type d'huile pourrait causer un choc électrique grave ou gravement endommager la pompe, ou les deux.
- Le boîtier du moteur de cette pompe est rempli d'une huile diélectrique, pour un transfert de chaleur optimal et une lubrification durable des paliers. Cette huile n'est d'aucun danger pour la vie aquatique. Il y a toutefois risque de suffocation si l'huile reste à la surface de l'eau. S'il devait y avoir fuite, retirer l'huile de la surface en plaçant du papier journal sur l'eau afin d'absorber l'huile.
- L'utilisation d'un ou de plusieurs systèmes auxiliaires et/ou d'un système d'alarme est recommandée pour toute installation potentiellement dangereuse (fuite ou défectuosité causées par une coupure de courant, un blocage du circuit de refoulement ou pour toute autre raison) pour les personnes ou la propriété.

INSTALLATION

La pompe doit être installée dans un réservoir étanche aux gaz d'un diamètre d'au moins 18 po, d'une profondeur d'au moins 30 po et aéré conformément aux codes de plomberie en vigueur.

La pompe comporte une sortie à filetage femelle NPT de 1-1/2 po.

La pompe peut être installée avec des tuyaux d'acier galvanisé, de polyéthylène, d'ABS ou de PVC. Des adaptateurs sont requis pour raccorder le tuyau de plastique à la pompe.

La pompe doit être placée sur une surface plate et dure. Ne jamais placer la pompe directement sur de l'argile, de la terre ou des surfaces en concassé.

Un clapet de retenue doit être placé dans la conduite de sortie afin de prévenir tout reflux de liquide à l'intérieur du réservoir. Le clapet devrait être à flot libre et pouvoir laisser passer des matières solides.

MISE EN GARDE: Afin d'obtenir une performance maximale des clapets de retenue pendant le pompage de matières solides, installer les clapets à l'horizontale ou à un angle ne dépassant pas 45°. Éviter de les installer à la verticale, car des matières solides pourraient rester coincées dans le clapet et empêcher son ouverture lors de la mise en marche de la pompe.

Dans ce cas, percer dans le tuyau d'écoulement un trou de dégagement d'un diamètre de 1/8 po à 3/16 po, en-dessous du sol entre l'écoulement de la pompe et la soupape d'arrêt pour éviter qu'un "bouchon d'air" se produise qui empêcherait l'appareil de pomper même s'il fonctionnait normalement.

CÂBLAGE

Vérifier les codes locaux de l'électricité et du bâtiment avant l'installation. Celle-ci devrait être conforme avec ces règlements ainsi qu'avec le plus récent Code national de l'Électricité.

Afin de respecter les exigences du Code national de l'Électricité, toutes les pompes doivent être branchées avec du fil #14 AWG ou plus gros. Pour des longueurs de fils inférieures à 250 pi, un fil #14 AWG convient. Consulter un électricien ou l'usine pour des longueurs plus élevées.

La pompe devrait être branchée à un circuit indépendant. Aucun autre appareil ne devrait être branché à ce circuit, et les fusibles et disjoncteurs devraient être de capacité adéquate. Consulter le tableau ci-dessous.

HP	TENSION	AMPÉRAGE DU FUSIBLE OU DU DISJONCTEUR
1/3 ou 4/10	115	20
1/3 ou 4/10	220	15

COMMANDE DU NIVEAU DE L'INTERRUPTEUR À FLOTTEUR

Les pompes de la série RFS sont équipées d'un système de contrôle du niveau par l'interrupteur à flotteur. Ce système est scellé dans un cylindre flottant de polypropylène. Pour un fonctionnement automatique, la pompe doit être branchée à un interrupteur à flotteur. La pompe fonctionnera continuellement si elle est branchée directement à une prise électrique.

Lorsque le niveau du réservoir monte, le cylindre monte aussi. Lorsque le cylindre se retrouve à une position d'environ 45°, l'interrupteur ferme le circuit et met la pompe en marche.

À mesure que le niveau baisse, le cylindre baisse aussi, et lorsqu'il revient à environ 45°, l'interrupteur ouvre le circuit, et la pompe s'arrête.

REMARQUE : S'ASSURER QUE LA POMPE EST SOLIDEMENT INSTALLÉE DANS LE RÉSERVOIR ET QU'AUCUN OBJET, INCLUANT LES PAROIS DU RÉSERVOIR OU DES TUYAUX, NE TOUCHE AU CYLINDRE.

INSTALLATION DE L'INTERRUPTEUR À FLOTTEUR

- L'interrupteur à flotteur comporte trois pièces : l'interrupteur, la bride de fixation et la vis de bride. Si la vis est introuvable, utiliser une vis autotaraudeuse #10-16 x 1/2 po.
- Attacher la bride au couvercle de la pompe, tel qu'indiqué à la Figure 1. La bride doit être placée de façon à permettre le libre mouvement du flotteur. S'assurer de placer les fils d'alimentation de la pompe et de l'interrupteur loin du flotteur.
- Une longueur de corde de 2-1/2 po est recommandée. Dans un tel cas, le réservoir devrait avoir au moins 18 po de diamètre. Mesurer la longueur de la corde comme c'est illustré à la Figure 1.
- Après avoir établi la bonne longueur de corde, serrer à la main la vis de bride.
- VÉRIFICATION :** Pendant qu'il n'y a pas d'eau dans le réservoir, brancher la pompe dans la prise de l'interrupteur, puis brancher ce dernier dans la prise de courant. Lever le flotteur et vérifier si la pompe se met en marche. Ne pas faire fonctionner la pompe pendant plus de cinq secondes.

GARANTIE LIMITÉE POMPE À PUISARD, À EFFLUENT ET À EAUX D'ÉGOUT DOMESTIQUE

INTRODUCTION

Les pompes submersibles à effluent des séries 6E, 9E, 10E, 14EH et 16EH sont recommandées pour des puisards, des réservoirs ou des bassins de transfert. Elles conviennent également pour le pompage de l'eau de drainage de sous-sols résidentiels, de l'effluent, des eaux usées ou d'autres liquides qui ne sont ni explosifs, ni corrosifs et ni abrasifs, dont la température ne dépasse pas 140° F et qui peuvent comporter des solides sphériques allant jusqu'à 3/4 po de diamètre (1/2 po pour les modèles 6E). (NE PAS UTILISER POUR DES EAUX D'ÉGOUT, SAUF POUR L'EFFLUENT D'UNE FOSSE SEPTIQUE.)

La présente garantit que chaque produit Little Giant sus-mentionné est en parfaite condition à sa sortie de l'usine. Pour la durée et selon les conditions mentionnées dans les présentes, LITTLE GIANT PUMP COMPANY, filiale de TECUMSEH PRODUCTS COMPANY, réparera ou remplacera au profit de l'acheteur ou de l'utilisateur initial toute partie du produit LITTLE GIANT qui, à cause d'un défaut de matériau ou de fabrication, sera défectueuse. Communiquer avec le détaillant LITTLE GIANT le plus près de chez vous pour des réparations sous la garantie. La réparation ou le remplacement de l'appareil, des pièces ou des composantes se fera à la seule discrétion de LITTLE GIANT, et ce en tout temps. Les dommages dus à la foudre ou à des circonstances hors du contrôle de LITTLE GIANT NE SONT PAS COUVERTS PAR LA PRÉSENTE GARANTIE.

DURÉE DE LA GARANTIE

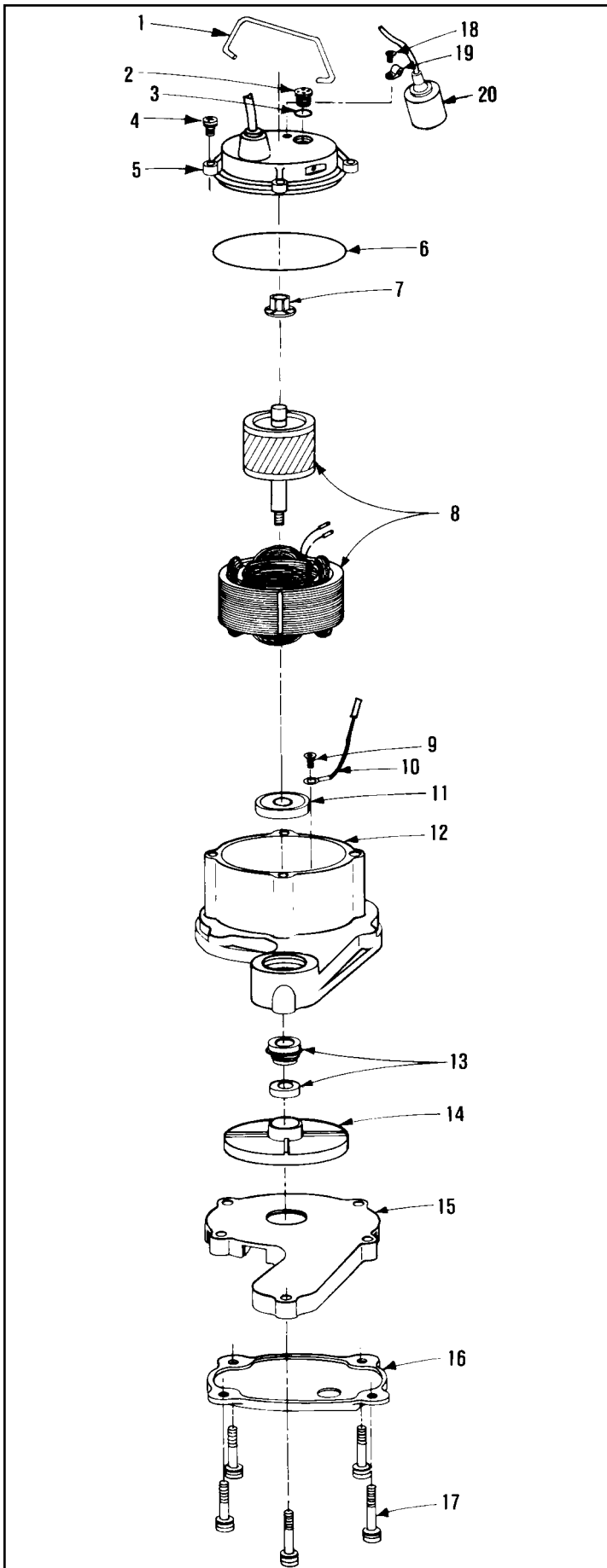
POMPES : 12 mois à partir de la date d'installation, ou 18 mois à partir de la date de fabrication, selon le premier terme atteint.

FRAIS DE MAIN-D'ŒUVRE, ETC. : EN AUCUN CAS, LITTLE GIANT ne peut être tenue responsable des frais de main-d'œuvre sur place ou de tout autre frais contracté par le client lors de l'enlèvement ou de l'installation (ou des deux) de tout produit ou pièce dudit produit LITTLE GIANT.

LA PRÉSENTE GARANTIE NE S'APPLIQUE PAS:

- aux défauts ou défectuosités résultant d'une installation, d'une utilisation ou d'un entretien non-conforme aux instructions incluses avec le produit;
- aux défectuosités résultant d'une mauvaise utilisation, d'un accident ou de négligence;
- à l'entretien normal et aux pièces nécessaires à cet entretien;
- aux appareils qui n'ont pas été installés conformément aux codes et règlements locaux ainsi qu'aux règles de l'art;
- à un appareil utilisé dans un but autre que celui dans lequel il fut conçu et fabriqué;

STOCK NO. 4RK90		MODEL NO. 9E-CIA-RFS (509902)	
ITEM NO.	PART NO.	QTY.	DESCRIPTION • NOMENCLATURE • DESCRIPCIÓN
1	108101	1	Handle • Poignée • Manija
2	947003	1	Plug, Oil • Bouchon, Huile • Bomba, Aceite
3	924006	1	O-ring • Joints Toriques • Junta Tórica
4	909022	4	Screw & Washer • Vis et Rondelle • Tornillo y Arandela (#10-24)
5	109121	1	Cover Assembly • Assemblage de Couvercle • Conjunto del Cubierta
6	928002	1	Seal Ring • Anneau D'étanchéité • Anillo de Estancamiento
7	948014	1	Bearing, Slotted • Support, Manchon Fendu • Cojinetes de Casquillo Acanalado
8	979133/ 979129	1	Stator/Rotor Assembly • Assemblage Stator/Rotor • Conjunto del Estator/Rotor
9	902437	1	Screw, Tapping • Vis taraudée • Tornillo, Rosca Macho (#8-32)
10	951994	1	Lead Wire Assembly • Assemblage Fils Plumbés • Conjunto de Hilos Conductores
11	948013	1	Bearing, Ball • Roulement, Bille • Rodamiento, Bola
12	109015	1	Housing • Carter • Cubierta
13	926031	1	Seal Assembly • Assemblage de joint • Conjunto del obturador
14	109102	1	Impeller • Turbine • Propulsor
15	109150	1	Base, Screen • Grille, Base • Malla, Base
16	109151	1	Plate, Base • Plaque, Base • Placa, Base
17	909024	5	Screw & Washer / Vis et Rondelle / Tornillo y Arandela (#10-24)
18	902516	1	Screw, Tapping / Vis taraudée / Tornillo, Rosca Macho (#10-24)
19	927027	1	Clamp, Cord • Collier de serrage, Cordon • Abrazadera, Cable
20	950315	1	Switch, Remote Float • L'interrupteur à Flotteur • Interruptor Remoto de Flotador



- 6) à une pompe qui a été exposée, entre autres, aux matières suivantes : sable, gravier, ciment, graisse, plâtre, boue, goudron, hydrocarbures et leurs dérivés (huile, essence, solvants, etc.) ou autres substances abrasives ou corrosives;
- 7) à une pompe utilisée pour pomper sans interruption des liquides non dangereux à des températures dépassant 140° F;
- 8) le fil d'alimentation a été coupé à une longueur inférieure à 0,91 m (trois pieds);
- 9) à une pompe démontée par l'utilisateur. (Seul le détaillant est habilité à démonter la pompe sur place.)

RETOUR DE PIÈCES À REMPLACER: Toute pièce qui doit être remplacée conformément à la garantie doit être retournée port payé à l'entreprise LITTLE GIANT à Oklahoma City, Oklahoma U.S.A. ou à tout autre endroit désigné par LITTLE GIANT.

AMÉLIORATIONS DE PRODUITS: LITTLE GIANT se réserve le droit de modifier ou d'améliorer ses produits ou toute partie de ces derniers sans être tenue d'apporter ces modifications aux appareils vendus ou expédiés auparavant.

DÉNÉGATION : Toute déclaration sur la pompe faite oralement par le vendeur, le fabricant, le représentant ou par toute autre partie ne constitue pas une garantie et, par conséquent, ne peut ni servir à l'utilisateur ni faire partie du contrat de vente. L'unique obligation du vendeur et du fabricant, et l'unique recours de l'acheteur, est le remplacement ou la réparation de la pompe selon les modalités décrites précédemment. Ni le vendeur ni le fabricant ne peuvent être tenus responsables de toute blessure, toute perte ou tout dommage, direct, indirect ou accessoire (incluant, mais non exclusivement, les ventes ou profits perdus, les atteintes aux personnes ou à la propriété ou toute autre perte indirecte ou accessoire) résultant de l'utilisation ou de l'incapacité d'utilisation de la pompe, et l'acheteur convient qu'il ne dispose d'aucun autre recours. Avant d'utiliser la pompe, il incombe à l'acheteur de déterminer si la pompe choisie convient à l'usage anticipé. L'acheteur accepte tout risque relié au choix de la pompe. La garantie et les recours énoncés dans les présentes sont EXCLUSIFS et REMPLACENT toute autre garantie ou recours explicite ou implicite. Tout autre recours ou garantie est donc expressément EXCLU. Cela comprend, mais non exclusivement, toute garantie implicite d'APTITUDE À LA COMMERCIALISATION OU D'APTITUDE PARTICULIÈRE. Certaines juridictions ne permettent pas l'exclusion ou la limitation pour des dommages indirects ou accessoires. Par conséquent, la limitation ou l'exclusion indiquée précédemment peut ne pas être applicable. Cette garantie vous donne des droits particuliers et peut-être d'autres, dépendamment des juridictions en vigueur.

S'il n'existe aucune preuve acceptable de la date d'installation, la durée de la présente garantie sera d'un an à partir de la date de fabrication. Adresser toute remarque, etc. à : Service Department, LITTLE GIANT PUMP COMPANY, 301 N. MacArthur, Oklahoma City, OK 73127-6616, U.S.A.

DÉTERMINATION DE LA DATE DE FABRICATION : (9-87) Le mois et l'année estampillés sur la pompe ou le numéro de série sur la plaque du fabricant, codé pour indiquer l'année de fabrication.

E INTRODUCCION

Las bombas de efluyentes sumergibles Little Giant se recomiendan para su uso en cubetas o estaciones elevadoras y son adecuadas para bombear aguas fecales, efluyentes, aguas residuales y otros líquidos no corrosivos o explosivos que contengan sólidos esféricos de hasta ¾ de pulgada de diámetro.

El funcionamiento automático puede lograrse mediante el uso del interruptor de control remoto RFS accionado por flotador. Otros accesorios, tales como los diques secos, las válvulas de retención y las cubiertas, también se encuentran a la venta.

Las Pocas bombas Gigantes se envasan cuidadosamente, registradas y probadas para asegurar la entrega y operación segura. Cuando usted recibe su bomba, examina lo cuidadosamente para determinar que no hay roto o dañado partes que pueden haber ocurrido durante el embarque. Si el daño ha ocurrido, hecho anotación y notificado la firma que usted compró la bomba desde. Ellos ayudarán usted en el reemplazo o la reparación, si requirió.

SEGURIDAD

PELIGRO DE CHOQUE ELÉCTRICO

Esta bomba está dotada de un cable de puesta a tierra y un enchufe accesorio de puesta a tierra. Para reducir el riesgo de choque eléctrico, cerciórese de que se encuentre conectada a un receptáculo del tipo de puesta a tierra, debidamente puesto a tierra.

Su bomba de efluyentes de 115 V está equipada con una clavija eléctrica de 3 puntas. El tercer diente es para ponerla a tierra, con el fin de evitar el riesgo de posibles choques eléctricos. No quite el tercer diente del enchufe. Se recomienda un circuito de ramal independiente. No utilice un cable de extensión.

Cuando la bomba se encuentre en un dique seco, etc., no toque el motor, los tubos ni el agua, mientras no se encuentre desconectada o apagada. Si hay agua o humedad en sus instalaciones, no toque el área húmeda mientras no se haya cortado toda la electricidad. Si la caja de interruptores no está accesible, llame a la compañía de electricidad para que interrumpa el servicio a la casa, o pida instrucciones al departamento local de bomberos. El hacer caso omiso de esta advertencia, puede producir un choque eléctrico mortal.

El conjunto de cables flexibles con manguito de cloruro de polivinílico PVC montado en la bomba, no debe modificarse de ninguna manera, salvo para acortar el cable, con el fin de ajustarlo a un tablero de mandos. Cualquier empalme entre la bomba y el tablero de

Modèle	Liste	Chevaux-vapeur	Tension	Solides Max (Dia. po)	Ampères/Watts	Débit - Gallons/Minute (Élévation - Mètres)				Tête d'arrêt (Pieds)	P.S.I. Max. (Livres Par Pouce Carré)	Cordon (Pieds)	Poids Emballé (en Livres)
						1,5	3,0	4,6	6,1				
9E-CIA-RFS	UL/CSA	4/10	115	1-1/2	12.3/1000	57	53	40	20	23	10.0	15	33

mandos debe efectuarse dentro de una caja de conexiones y montarse fuera del dique seco. Además, debe ajustarse al Código Eléctrico Nacional. No utilice el cable eléctrico para levantar la bomba.

El motor de la bomba está equipado con un protector térmico de reposición automática y puede reposicionarse inesperadamente. El accionamiento del protector es una indicación de sobrecarga del motor debida a un voltaje demasiado alto o bajo, un cableado inadecuado, conexiones de motor incorrectas o un motor o bomba defectuosos.

FUNCIONAMIENTO

PRUEBA DEL FUNCIONAMIENTO DE LA BOMBA

BOMBAS AUTOMATICAS DE LA SERIE RFS:

- Estas bombas están equipadas con un interruptor remoto de flotador.
- Cuando estas bombas se instalan en un dique seco con una cubierta sellada, no puede observarse el funcionamiento del interruptor. La cubierta de la bomba generalmente tendrá un orificio adicional, dotado de un tapón de caucho. Este tapón puede quitarse para observar el funcionamiento del interruptor.
- Conecte el cable eléctrico del interruptor de control remoto accionado por un flotador a un receptáculo puesto a tierra, con un voltaje similar al de la bomba, como se indica en la placa del fabricante de la bomba. Conecte el cable eléctrico de la bomba en el enchufe del interruptor de control remoto, accionado por el flotador.
- Haga correr agua en la bomba, hasta que la bomba arranque.
- Cerchiórese de que la válvula de paso directo del tubero de descarga se encuentre abierta.
- Permite que la bomba funcione durante varios ciclos de apagado y encendido.

BOMBAS MANUALES:

El cable de estas bombas puede conectarse directamente a un receptáculo debidamente puesto a tierra, con un voltaje similar al de la placa del fabricante de la bomba, para un funcionamiento continuo de la bomba.

PRECAUCION: Este tipo de funcionamiento sólo debe utilizarse en emergencias o cuando deba bombearse un gran volumen de agua. No debe permitirse que la bomba funcione en seco. El funcionamiento en seco puede estropear la bomba y anular la garantía.

MANTENIMIENTO

Si la bomba no funciona apropiadamente, consulte el plano de investigación de averías. Si no puede encontrar el problema siguiendo estos pasos, consulte al distribuidor de la bomba o lleve la bomba a un centro de servicio autorizado de Little Giant.

PRECAUCION: Cuando trabaje en la bomba o en el interruptor, desconecte siempre el cable eléctrico, además de quitar el fusible o apagar el interruptor automático, antes de trabajar en la bomba.

LIMPIEZA DEL ROTOR Y EL DIFUSOR

- Saque los tornillos que sujetan la voluta al alojamiento del motor.
- Limpie el rotor y el conducto del difusor. No utilice detergentes fuertes en el impulsor.
- Asegúrese de que el impulsor gire libremente antes de limpiarlo.
- ADVERTENCIA: NO quite el impulsor. Para quitar el impulsor se requieren herramientas especiales y esto debe hacerse solo en un centro de servicio autorizado.**

NO quite la cubierta de la caja del motor. La garantía es nula si se quita la cubierta de la caja del motor, el impulsor o los obturadores.

CUALQUIER REPARACION DEL MOTOR DEBE HACERSE EN UN CENTRO DE SERVICIO AUTORIZADO DE LITTLE GIANT.

ESPECIFICACIONES

Tamaño de la Descarga:	BSPT vertical de 2 pulgadas
Tamaño de la Toma:	apertura de 2 pulgadas de diámetro
Bastidor de la bomba:	hierro colado
Difusor:	hierro colado
Propulsor:	Diseño de remolino con aletas de alivio de la presión.
Motor:	Inducción monofásica, con protección de sobrecarga térmica de reajuste automático.
Piezas Metalicas:	serie 300, de acero inoxidable
Cojinete de Empuje:	Bola
Cojinete Radial:	Manga - lubricación permanente
Sello del Eje:	Carbón estacionario, mecánico, accionado por resorte, con asiento cerámico rotativo.
Cable de potencia:	16 AWG de 3 conductores, con torón de cobre.
Enfriamiento:	El estator contiene un aceite refrigerante para enfriar el motor y lubricar los cojinetes y obturadores. Estas bombas pueden funcionar largo tiempo con el estator parcialmente expuesto, siempre y cuando el refrigerante del motor y la lubricación de los cojinetes sea suficiente. No obstante, para un enfriamiento óptimo y una vida máxima del motor, el nivel del líquido que se bombea, normalmente debe encontrarse por encima del estator de hierro colado.

REGLAMENTO DE SEGURIDAD

- Lea todo el instructivo, el no seguir estas recomendaciones puede causar serios daños a la persona y al equipo.
- NO USE LA UNIDAD PARA BOMBLEAR LIQUIDOS INFLAMABLES NI EXPLOSIVOS TALES COMO GASOLINA, FUELOIL, QUEROSENO, ETC. NO SE USE EN AMBIENTES EXPLOSIVOS O LUGARES EPLIGROSOS, SEGUN LA CLASIFICACION DEL CODIGO ELECTRICO NACIONAL (NEC) Y LA NORMA NFPA70 DEL INSTITUTO NACIONAL NORTEAMERICANO DE NORMAS. EL HACER CASO OMISO DE ESTA ADVERTENCIA, PUEDE TRAER COMO RESULTADO LESIONES CORPORALES, DAÑOS MATERIALES O AMBOS.**
- Durante el funcionamiento normal la bomba de sumidero está inmersa en agua. Además, durante las tormentas, puede haber agua en el área circundante de la bomba. Se debe observar precaución para prevenir lesiones personales al trabajar cerca de la bomba.
 - Debe sacarse el enchufe de la toma de corriente, antes de tocar, limpiar o reparar la bomba.
 - Para disminuir el riesgo de choques eléctricos posiblemente fatales, tenga sumo cuidado al cambiar los fusibles. No pise agua mientras cambia los fusibles ni introduzca el dedo en el receptáculo del fusible.
- No haga funcionar la bomba en un depósito seco. Si la bomba es operada en un depósito seco, la temperatura de la superficie de la bomba se elevará a un alto nivel. Este alto nivel podría causar quemaduras de la piel si se toca la bomba y puede causar daños graves a la bomba.
- No engrase el motor. La caja de la bomba está sellada. Desde la fábrica se ha colocado un aceite dieléctrico de alto grado y repelente al agua dentro de la carcasa del motor. El uso de otro tipo de aceite podría causar daños eléctricos graves y/o daños permanentes a la bomba.
- El alojamiento del motor de esta bomba está lleno con un aceite dieléctrico para la transferencia de calor y la lubricación de por vida de los cojinetes. Este aceite no es tóxico para la vida acuática. Sin embargo, puede ocurrir la muerte de ésta, si el aceite queda sobre la superficie. Para quitar rápidamente el aceite que pueda haberse escapado del alojamiento del motor, coloque periódicos sobre la superficie del agua para absorber el aceite.

INSTALACION

La bomba se debe instalar en un depósito adecuado, impermeable a los gases, que tenga un diámetro de por lo menos 18" y una profundidad de 24".

La bomba presenta una descarga NPT hembra de 1-1/2".

La bomba puede instalarse con tubos ABS, de cloruro polivinílico (PVC) o de acero galvanizado. Para conectar el tubo plástico a la bomba, se requieren adaptadores apropiados.

La bomba debe colocarse en una superficie dura y nivelada. No la coloque nunca directamente sobre superficies de arcilla, tierra o grava.

Debe utilizarse una válvula de retención en el tubo de descarga, para evitar el reflujo en el dique seco. La válvula de retención debe ser una válvula sin estrangulación, que permita pasar fácilmente cuerpos sólidos.

Cuando se utilice una válvula de retención, perfórese un agujero de descompresión (de un diámetro de 1/8 ó 3/16 de pulgada) en el tubo de descarga. Este agujero deberá encontrarse debajo de la línea de la superficie del suelo, entre la descarga de la bomba y la válvula de retención. A menos que se proporcione tal agujero de descompresión, la bomba podría llenarse de burbujas de aire y no bombeará el agua, aunque sí funcionará.

CABLES

Estudie las normas locales sobre electricidad y construcción, antes de instalar los cables. La instalación debe ajustarse a sus regulaciones así como a las del Código Eléctrico Nacional (NEC) más reciente.

Para ajustarse a las disposiciones del Código Eléctrico Nacional, todas las bombas deben tener cables 14 AWG o mayores. Para recorridos 250 pies, basta el cable de 14 AWG. Para recorridos mayores, consulte a un electricista competente o a la fábrica.

La bomba debe enchufarse o conectarse en su propio circuito, sin otras tomas o equipos en la línea del circuito. Los fusibles e interruptores automáticos del circuito eléctrico deben ser de gran capacidad. Remítase al siguiente cuadro:

C.V.	VOLTAJE	AMPERIOS DEL CIRCUITO DEL INTERRUPTOR
1/3 o 4/10	115	20
1/3 o 4/10	220	15

CONTROL DE NIVEL POR INTERRUPTOR REMOTO DE FLOTADOR

Las bombas de la serie RFS están equipadas con un control de nivel activado por un interruptor remoto de flotador. Este control de nivel está sellado en un cilindro de flotador hecho de polipropileno. Para una operación automática, la bomba debe estar enchufada o cableada a un interruptor remoto de flotador. La pompe fonctionnera continuellement si elle est branchée directement à une prise électrique.

Cuando el nivel se eleva en el depósito, el cilindro flota y sube con el nivel. Cuando la posición del cilindro hace un ángulo de aproximadamente 45°, el interruptor se activa y arranca la bomba

Modelo	Lista	Potencia	Voltios	Solidos Máximos (Dia. Pulgadas)	Amperios/Vatios	Caudal - Galones/Minuto (Presión Hidrostática - Metros)				Cabeza de Cierre (Pies)	P.S.I. Maximo (Pies)	Cable (Pies)	Peso Bruto (Libras)
						1,5	3,0	4,6	6,1				
9E-CIA-RFS	UL/CSA	4/10	115	1-1/2	12.3/1000	57	53	40	20	23	10.0	15	33

A medida que el nivel baja, el cilindro flota y baja con éste; cuando alcanza nuevamente un ángulo de 45°, el interruptor se desactiva y el motor de la bomba se detiene.

NOTA: CERCIORESE DE QUE LA BOMBA ESTE SUJETA EN EL DIQUE SECO Y DE QUE EL CILINDRO FLOTE LIBREMENTE, SIN TOCAR LAS PAREDES DEL DIQUE O LA TUBERIA.

INSTALACION DEL INTERRUPTOR DE CONTROL REMOTO ACCIONADO POR FLOTADOR

1. El interruptor accionado por flotador consta de tres partes: a) el interruptor; b) un sujetador de apriete; c) un tornillo del sujetador. NOTA: si se extravía el tornillo, utilícese un tornillo macho #10-16 de media pulgada de largo.
2. Adhiérase el sujetador del cable a la cubierta de la bomba, como se indica en la FIGURA 1. El sujetador debe colocarse como se indica, para permitir que el flotador funcione libremente. Cerciórese de colocar los cables eléctricos de la bomba y el interruptor alejados del flotador del interruptor.
3. Se recomienda una longitud máxima de 2-1/2 pulgadas. Cuando se utilice una longitud de 2-1/2 pulgadas, se recomienda un diámetro de 18 pulgadas para el dique seco. La longitud máxima se mide como se indica en la ilustración de la derecha.
4. Tras determinar la longitud máxima deseada, ajuste con la mano el tornillo del sujetador.
5. **PRUEBA:** Con el dique sin agua, enchufe el cable eléctrico de la bomba en el enchufe en línea del interruptor. Conecte el interruptor en la toma. Levante el flotador y espere a que la bomba funcione. No permita que la bomba funcione más de 5 segundos.

GARANTIA LIMITADA SUMIDERO, EFLUENTES Y AGUAS RESIDUALES RESIDENCIALES

INTRODUCCION

Se recomienda utilizar las Bombas Sumergibles Extractoras de Efluentes Little Giant de las Series #6E, #8E, #9E, #10E, #14EH, y #16EH en sumideros, depósitos, o estaciones de impulsión, y son adecuadas para bombear agua de drenaje de sótanos, efluentes, aguas residuales y otros líquidos no explosivos, no corrosivos, y no abrasivos que no sobrepasen una temperatura de 140° F con capacidad de manejar sólidos esféricos de hasta 3/4" (1/2 pulgadas en los modelos 6E). (NO SE DEBE UTILIZAR PARA BOMBEAR AGUAS RESIDUALES, EXCEPTO PARA BOMBEAR EFLUENTES DE POZOS SEPTICOS).

Cada una de las bombas Little Giant arriba descritas tiene garantía de estar en condiciones perfectas cuando deja nuestra fábrica. Durante los lapsos establecidos y sujeto a las estipulaciones que se establezcan de aquí en adelante, la compañía LITTLE GIANT PUMP COMPANY, una subsidiaria de TECUMSEH PRODUCTS COMPANY, reparará o reemplazará para el usuario original o consumidor cualquier porción de su nuevo producto LITTLE GIANT que demuestre estar defectuoso debido a materiales o mano de obra de LITTLE GIANT. Póngase en contacto con su Distribuidor Little Giant para el servicio de garantía. En todo momento, LITTLE GIANT tendrá y poseerá el derecho único y opción para determinar si debe reparar o reemplazar equipo, piezas o componentes defectuosos. Los daños causados por rayos o condiciones fuera del control de LITTLE GIANT NO ESTAN CUBIERTOS POR ESTA GARANTIA.

PERIODO DE GARANTIA

BOMBAS: 12 meses a partir de la fecha de instalación o 18 meses a partir de la fecha de fabricación, lo que ocurra primero.

MANO DE OBRA, ETC. COSTOS: BAJO NINGUNA CIRCUNSTANCIA LITTLE GIANT será responsable o estará expuesto a acción judicial por el costo de mano de obra externa en el lugar u otros cargos incurridos por cualquier cliente al extraer o asegurar cualquier producto LITTLE GIANT, pieza o componente de éste.

ESTA GARANTIA NO SERA APLICABLE:

- 1) a defectos o funcionamiento defectuoso ocasionados por no instalar, operar o mantener la unidad conforme a las instrucciones escritas provistas.
- 2) a fallas causadas por abuso, accidente o negligencia.
- 3) a servicios normales de mantenimiento y a las piezas utilizadas para prestar dichos servicios.
- 4) a unidades que no se hayan instalado de conformidad con los códigos, ordenanzas y buenas prácticas comerciales.
- 5) a la unidad que es utilizada para fines diferentes de aquellos para los que fue diseñada y fabricada.
- 6) si la unidad es expuesta, pero sin limitarse, a: arena, grava, cemento, grasa, yeso, barro, brea, hidrocarburos, o derivados de hidrocarburos (aceite, gasolina, solventes, etc.) u otras sustancias abrasivas o corrosivas.
- 7) si la bomba ha sido utilizada para bombear continuamente líquidos apropiados a temperaturas superiores a 140° F.
- 8) el cable cortado a menos de tres pies (0,91 m.).
- 9) si la bomba ha sido desarmada por el cliente. (Sólo el distribuidor puede desarmar la bomba para prestarle servicio externo en el lugar).

COMPONENTES QUE DEBEN DEVOLVERSE O REEMPLAZARSE: Cualquier ítem que deba reemplazarse bajo la Garantía debe devolverse, flete prepagado, a LITTLE GIANT en Oklahoma City, OK o a cualquier otro sitio que LITTLE GIANT pueda designar.

MEJORAMIENTO DE LOS PRODUCTOS: LITTLE GIANT se reserva el derecho de cambiar o mejorar sus productos o cualquier porción de ellos sin estar obligada a proveer tal cambio o mejora para las unidades vendidas y/o enviadas antes de tal cambio o mejora.

RECHAZO: Cualesquiera afirmaciones orales acerca del producto hechas por el vendedor, el fabricante, los representantes o cualesquiera otros, no constituyen garantías, no deberán ser objeto de confianza por parte del usuario, y no son parte del contrato de venta. La única obligación del vendedor y del fabricante, y el único recurso del comprador, será el reemplazo y/o la reparación por el fabricante del producto como se describe arriba. Ni el vendedor ni el fabricante serán responsables por cualquier lesión, pérdida o daños, directos, incidentales o emergentes (incluyendo, pero sin limitarse a daños incidentales, o emergentes por pérdida de ganancias, pérdida de ventas, daños a personas o propiedades, o cualesquiera otra pérdida incidental o emergente), que surja del uso o de la incapacidad de usar el producto y el usuario conviene en que ningún otro recurso estará a su disposición. Antes de utilizar el producto, el usuario deberá determinar la idoneidad de éste para el fin propuesto, y el usuario asume todo riesgo de responsabilidad en relación a dicha utilización. La garantía y recurso descritos en esta garantía limitada es una garantía EXCLUSIVA y el recurso es EN LUGAR DE cualquier otra garantía y recursos explícitos o implícitos, que otras garantías y recursos están expresamente EXCLUIDOS por el presente documento, incluyendo, pero sin limitarse a cualquier garantía implícita de COMERCIALIZACION o IDONEIDAD PARA UNA FINALIDAD PARTICULAR. Algunos estados no permiten la exclusión o limitación de daños incidentales o emergentes, así que la limitación o exclusión arriba indicada puede que no sea aplicable a usted. Esta garantía le da a usted derechos legales específicos, y usted puede tener otros derechos que pueden variar de un estado a otro.

En ausencia de otra prueba apropiada de la fecha de instalación, la fecha de vigencia de esta garantía se basará en la fecha de manufactura, más un año. Dirija todas las notificaciones, etc. a: Service Department, LITTLE GIANT PUMP COMPANY, 301 N. MacArthur, Oklahoma City, OK 73127-6616.

DETERMINACION DE LA FECHA DE FABRICACION DE LA UNIDAD: (9-87) el mes y el año estampados en la bomba y/o el número serial sobre la placa de la bomba codificado para indicar el año de fabricación.

TROUBLESHOOTING INFORMATION • INFORMATION SUR LA RELÈVE DES DÉRANGEMENTS • INFORMACION DENVESTIGACION DE AVERIAS		
PROBLEM • FONCTIONNEMENT DÉFECTUEUX • PROBLEMA	PROBABLE CAUSES • CAUSES PROBABLES • CAUSAS PROBABLES	CORRECTIVE ACTION • SOLUTIONS • SOLUCION
<p>Pump does not turn on. Note: Before trouble shooting automatic control check to see that pump operates on manual control. To do this unplug from in-line float switch plug. Plug pump power cord into wall outlet. If pump works, proceed to check switch; if not, fault is in pump or power supply. • La pompe ne peut être mise sous tension. Remarque: avant de contrôler le fonctionnement automatique, vérifiez que la pompe fonctionne en manuel. Pour ce faire, retirer le bouchon de l'interrupteur à flotteur. Brancher le fil d'alimentation de la pompe à une prise murale. Si la pompe fonctionne, vérifiez le commutateur; si elle ne fonctionne pas, c'est la faute de la pompe ou du bloc d'alimentation. • La bomba no se activa. Nota: antes de buscar averias en el control automático, verifique si la bomba funciona con control manual. Para hacer esto, desconecte la línea del enchufe del interruptor accionado por el flotador. Conecte el cable eléctrico de la bomba a una toma en la pared. Si la bomba funciona, proceda a inspeccionar el interruptor; si no, la falla está en la bomba o el suministro de electricidad.</p>	<p>Pump not plugged in. • La pompe n'est pas branchée. • La bomba no está enchufada.</p>	<p>Plug in pump. • Branchez le puisard. • Enchufar la bomba.</p>
	<p>Circuit breaker shutoff or fuse removed. • Disjoncteur coupé ou fusible enlevé. • Desactivación del disyuntor o se ha retirado el fusible.</p>	<p>Turn on circuit breaker or replace fuse. • Mettez le disjoncteur sous tension ou remplacez le fusible. • Active el disyuntor o reemplace el fusible.</p>
	<p>Accumulation of trash on float. • Accumulation de débris sur le flotteur. • Acumulación de desperdicios en el flotador.</p>	<p>Clean float. • Nettoyez le flotteur. • Limpie el flotador.</p>
	<p>Float obstruction. • Flotteur bloqué. • Obstrucción del flotador.</p>	<p>Check float path and provide clearance. • Vérifiez la voie de passage du flotteur et dégagéz-la au besoin. • Vérifie el flotador y proporcione espacio limpio.</p>
	<p>Defective switch. • Interrupteur défectueux. • Interruptor defectuoso.</p>	<p>Disconnect switch, check w/ohmmeter, Open-infinite resistance, closed-zero. • Débrancher le commutateur, vérifier avec un ohmmètre. Ouvert-résistance infinie, fermé-zéro. • Desconecte el interruptor e inspecciónelo con el ohmmetro; abierto, resistencia infinita; cerrado, cero.</p>
	<p>Defective motor. • Moteur défectueux. • Motor defectuoso.</p>	<p>Have pump serviced by authorized service center. • Faites réparer la pompe à un centre de service autorisé. • Lleve la bomba a un centro de servicio autorizado.</p>
<p>Pump will not shut off. • Le moteur de la pompe ne s'arrête pas. • La bomba no se apaga.</p>	<p>Float obstruction. • Flotteur bloqué. • Obstrucción del flotador.</p>	<p>Check float path and provide clearance. • Vérifiez la voie de passage du flotteur et dégagéz-la au besoin. • Verifique el flotador y proporcione espacio limpio.</p>
	<p>Pump is air locked. • Poche d'air dans la pompe. • Burbujas de aire en la bomba.</p>	<p>Shut power off for approximately 1 minute, then restart. Repeat several times to clear air from pump. • Couper le courant pendant 1 minute environ puis recommencer. Répéter cette opération plusieurs fois pour évacuer l'air de la pompe. • Desconecte la electricidad durante un minuto, aproximadamente. Luego, vuélvala a conectar. Repita varias veces, para purgar el aire de la bomba.</p>
	<p>Liquid inflow matches pump capacity. • Afflux de liquide correspondant au volume de la pompe. • El caudal que entra es igual a la capacidad de la bomba.</p>	<p>Larger pump required. • Une pompe plus puissante est nécessaire. • Se requiere una bomba mayor.</p>
	<p>Defective switch. • Commutateur défectueux. • Interruptor defectuoso</p>	<p>Disconnect switch, check w/ohmmeter, Open-infinite resistance, closed-zero. • Débrancher le commutateur, vérifier avec un ohmmètre. Ouvert-résistance infinie, fermé-zéro. • Desconecte el interruptor e inspecciónelo con el ohmmetro; abierto, resistencia infinita; cerrado, cero.</p>
	<p>Loose connection in level control wiring. • Connexion des fils électriques du niveau de contrôle distendue. • Conexiones flojas en los cables del regulador de nivel.</p>	<p>Check control wiring. • Vérifier le circuit électrique. • Inspeccione los cables del regulador.</p>
<p>Pump runs but does not discharge liquid. • La pompe fonctionne mais il n'y a pas d'écoulement de liquide. • La bomba funciona, pero no descarga líquido.</p>	<p>Check valve installed backwards. • Montage à l'envers de la soupape d'arrêt • Válvula de retención montada al revés</p>	<p>Check flow indicating arrow on check valve body to insure it is installed properly. • Vérifier la flèche indiquant l'écoulement pour s'assurer que la soupape d'arrêt est bien montée. • Inspeccione la flecha indicadora del flujo en el cuerpo de la válvula de retención, para cerciorarse de que se encuentre instalada correctamente.</p>
	<p>Check valve stuck or plugged. • Soupape d'arrêt bloquée ou obstruée. • Válvula de retención atorada u ocluida.</p>	<p>Remove check valve and inspect for proper operation. • Démontez et vérifiez la soupape d'arrêt pour un bon fonctionnement. • Quite la válvula de retención, y verifique que funcione debidamente.</p>
	<p>Lift too high for pump. • Aspiration trop puissante pour la pompe. • Altura de impulsión excesiva para la bomba.</p>	<p>Check rating table. • Vérifier le tableau d'évaluation. • Etudie la tabla de capacidad.</p>
	<p>Inlet to impeller plugged. • Arrivée de la roue à aubes obstruée. • Toma de la rueda móvil conectada.</p>	<p>Pull pump and clean. • Tirer la pompe pour la nettoyer. • Saque la bomba y límpiela.</p>
	<p>Pump is air locked. • Présence d'une poche d'air dans la pompe. • La bomba está llena de burbujas de aire.</p>	<p>(See corrective action above.) • (Voir ci-dessus la solution.) • (Remítase a la solución anterior.)</p>
<p>Pump does not deliver rated capacity. • La pompe ne pompe pas le volume normal. • La bomba no impele a su capacidad normal.</p>	<p>Lift too high for pump. • Aspiration trop puissante pour la pompe. • Altura de impulsión excesiva para la bomba.</p>	<p>Check rated pump performance. • Vérifier les caractéristiques techniques de la pompe. • Verifique el rendimiento normal de la bomba.</p>
	<p>Low voltage, speed too slow. • Voltage et vitesse pas assez puissants. • Voltaje demasiado bajo, velocidad demasiado baja.</p>	<p>Check for proper supply voltage to make certain it corresponds to nameplate voltage. • S'assurer que le voltage correspond bien à celui mentionné sur la plaque. • Verifique que el suministro de electricidad sea adecuado, para cerciorarse de que corresponde al voltaje indicado en la placa del fabricante.</p>
	<p>Impeller or discharge pipe is clogged. • Obstruction de la roue à aubes ou du tuyau d'écoulement. • La rueda móvil en el tubo de descarga está ocluida.</p>	<p>Pull pump and clean. Check pipe for scale or corrosion. • Tirer la pompe pour la nettoyer. Vérifier la présence de dépôts ou de corrosion dans les tuyaux. • Saque la bomba y límpiela. Inspeccione el tubo, en busca de capas de óxido o corrosión.</p>
	<p>Impeller wear due to abrasives. • Usure de la roue à aubes due aux abrasifs. • Desgaste de la rueda móvil, debido a abrasivos.</p>	<p>Replace worn impeller. • Remplacer la roue à aubes usée. • Cambie la rueda móvil gastada.</p>
<p>Pump cycles continually. • La pompe recommence son cycle sans s'arrêter. • La bomba se enciende y apaga continuamente</p>	<p>No check valve in long discharge pipe allowing liquid to drain back into sump. • Absence de soupape d'arrêt dans le grand tuyau d'écoulement ainsi permettant l'écoulement du liquide dans le puisard de réception. • Falta la válvula de retención en el tubo de descarga largo, lo cual permite que el líquido refluya a la sumidero.</p>	<p>Install a check valve in discharge line. • Installer une soupape d'arrêt sur le tuyau d'écoulement. • Instale una válvula de retención en la tubería de descarga.</p>
	<p>Check valve leaking. • Fuite à la soupape d'arrêt. • Escape en la válvula de retención.</p>	<p>Inspect check valve for correct operation. • Vérifier la soupape d'arrêt pour obtenir un bon fonctionnement. • Verifique que la válvula de retención funcione correctamente.</p>
	<p>Basin too small for inflow. • Bassin de réception trop petit pour l'afflux. • El fondo del sumidero es muy pequeño o está inundado.</p>	<p>Install larger basin. • Installer un bassin de réception plus grand. • Instale un sumidero con un fondo mayor.</p>