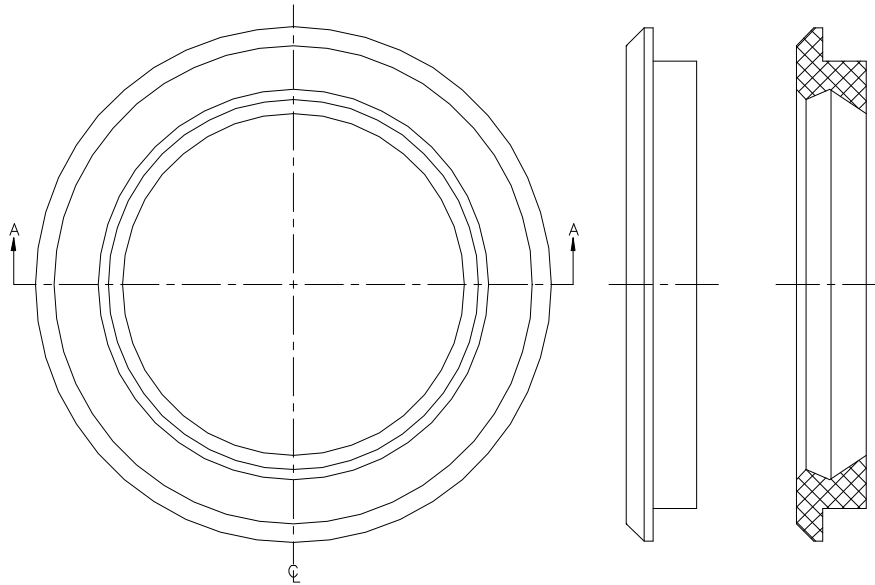


# PIPE SEAL GROMMET - 3"



PART NO.	NOMINAL PIPE SIZE	ACTUAL PIPE O.D.	HOLE SAW SIZE
G038	3/8	.675	1
G050	1/2	.840	1 1/4
G075	3/4	1.050	1 1/4
G100	1	1.315	1 3/4
G125	1 1/4	1.660	3
G150	1 1/2	1.900	3
G200	2	2.375	3
G300	3	3.500	4
G400	4	4.500	5
G600	6	6.625	7

ALL DIMENSIONS IN INCHES

THE PIPE SEAL GROMMET IS DESIGNED TO SEAL PIPING PENETRATIONS THROUGH FLAT AND CURVED SURFACES.. THE USER CUTS THE REQUIRED ENTRY HOLE, LUBRICATES THE PIPE AND SEAL, AND FORCES THE PIPE THROUGH THE SEAL. THE OUTSIDE DIAMETER OF THE PIPE SEAL GROMMET EXPANDS, SEALING THE PIPE TO THE BASIN WALL.

**INDUSTRIES**  
**TOPP**  
INCORPORATED

GROMMETS

Reference:

Scale: None

Drawn By: RM

Appv'd By:

Date:

This print is and contains confidential proprietary information owned exclusively by TOPP INDUSTRIES, INC. It is furnished on a strictly confidential basis. This restriction includes, but is not limited to the condition that this print will not only be used as a record or to identify or inspect parts or for other information purposes and will not be used to manufacture or procure the manufacture of the items shown in this print by any other source than TOPP INDUSTRIES, INC.

Highway 25 North P.O. Box 420  
Rochester, IN 46976  
Phone: 800/354-4534 Fax: 574/223-6106

Supersedes Prints  
Prior To:

09-09-13