

Power +

Maintenance Free AGM Batteries
Saving One Basement At A Time



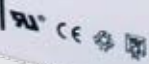
Power +
Maintenance Free Battery
LW20104 (12V 120AH/10HR)
Non-spillable

Rechargeable Valve Regulated Lead-Acid Battery
Constant Voltage Charge (25°C)

Type	Voltage Regulation	Initial Current
Standby use	13.50~13.80V	Less than 30.0A
Cycle use	14.40~15.00V	Less than 30.0A

Metropolitan Industries, Inc.

WARNING:
• Avoid short circuit.
• Recharge after use.
• Risk of fire, explosion, or burns.
• Do not charge in a sealed container.
• Must be recycled or disposed of properly.
• Do not disassemble, heat above 50°C, or incinerate.



- **Maintenance free**
- **Lasts twice as long as typical batteries**
- **Completely sealed and spill-proof with no exposure to hazardous chemicals**
- **Safe for standard shipping anywhere in the U.S.**
- **Works with virtually all types of back-up systems**
- **Performs up to 35% better than standard deep cycle batteries**



BY THE MAKERS OF
SUMPRO



The Pumping World's One Stop Shop!

Overview

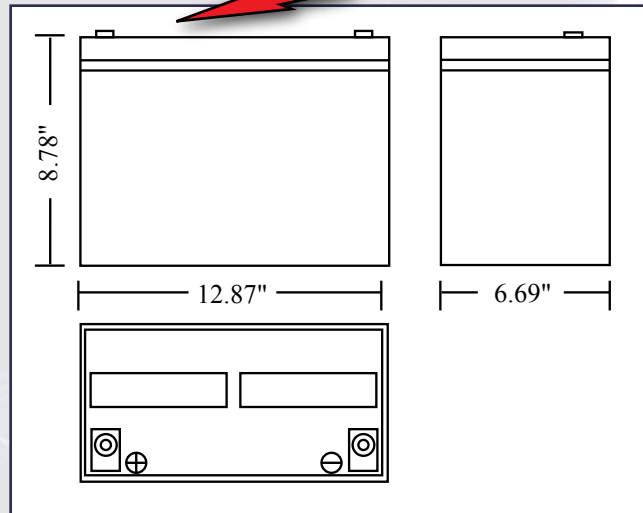
Back-up Pump Systems are usually tucked away in a basement corner and neglected. Even though a battery is the most important part of any back-up system, owners often forget to maintain them resulting first in a failure and then a flooded basement.

Well, now maintaining batteries is a thing of the past thanks to **Power + Maintenance Free Batteries** by Metropolitan Industries.

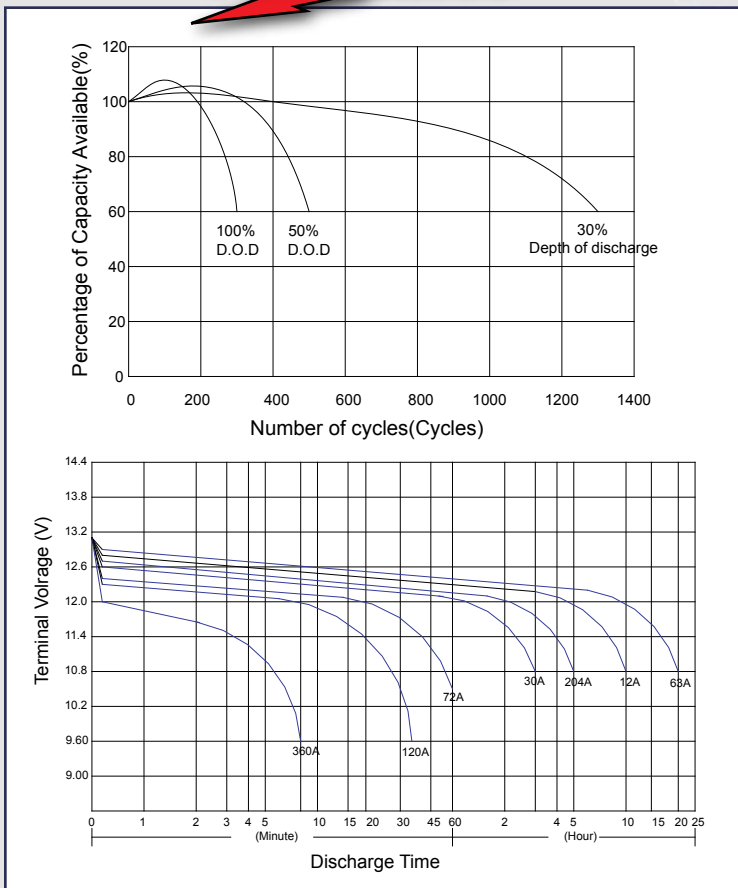
Power + Maintenance Free Batteries are revolutionizing the way we power our back-up systems. Simply connect a battery or batteries to your back-up system and then simply forget about it.

There is no need to ever perform maintenance, so why are you still using those old batteries?

Dimensions



Performance



Button "B"

Threaded copper insert terminals



Specifications

Item Number: LW20104 (12V 120AH)

Nominal Voltage: 12 Volts

Rated Capacity: 120 AH

Size: 12.87" L x 6.69" W x 8.78" T

Weight: 67.5 lbs.

Terminal: Type B

Capacity:	20 hour rate (6.15A)	123AH
	10 hour rate (12.0A)	120AH
	5 hour rate (20.40A)	102AH
	1 hour rate (62.0A)	62AH

Internal Resistance:

Fully charged battery 25°C 0.005 Ohm

Capacity affected by temperature (20 hour rate):

40°C	105%
25°C	100%
0°C	85%
-15°C	65%



37 Forestwood Drive, Romeoville, IL 60446-1343
 Telephone: (815) 886-9200 • Outside IL: (800) 323-1665
 Fax: (815) 886-6932 • www.sumpro.com

Distributed by:

