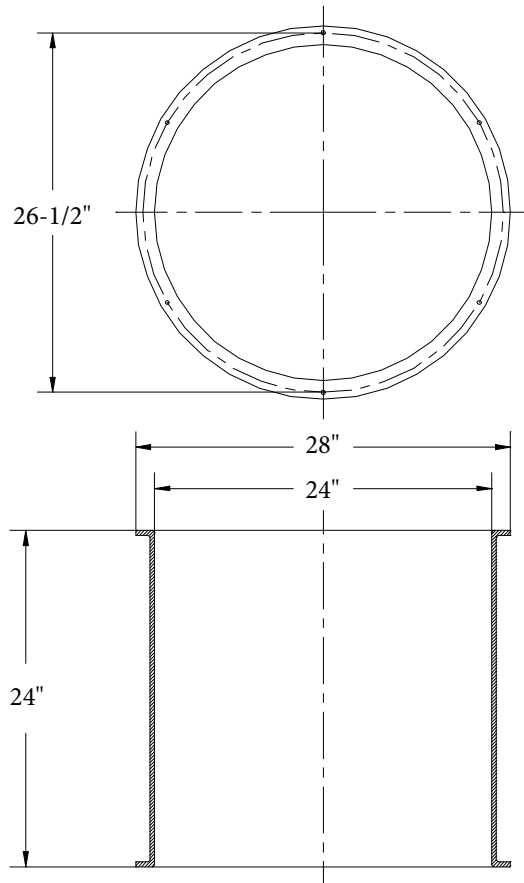


# FIBERGLASS BASIN EXTENSION



PART NO.	Ⓐ EXTENSION INSIDE DIA.	Ⓑ EXTENSION OUTSIDE DIA.	Ⓒ EXTENSION DEPTH	Ⓓ BOLT CIRCLE DIA.
FG24x024-EX	24	28	24	26-1/2

ALL DIMENSIONS IN INCHES



<p style="text-align: center;">Fiberglass Basin Extension</p> <p>Reference:</p>	<p>Scale: None                  Drawn By: <i>RM</i>                  App'd By: .                  Date: 03/02/04</p>	<p>This print is and contains confidential proprietary information owned exclusively by TOPP INDUSTRIES, INC. It is furnished on a strictly confidential basis. This restriction includes, but is not limited to the condition that this print will not only be used as a record or to identify or inspect parts or for other information purposes and will not be used to manufacture or procure the manufacture of the items shown in this print by any other source than TOPP INDUSTRIES, INC.</p>
<p style="text-align: center;">Highway 25 North P.O. Box 480                  Rochester, IN 46975                  Phone: 800/354-4534 Fax: 574/223-8106</p>	<p>Supersedes Prints                  Prior To: 03/02/04</p>	<p>Reference No: 17509</p>

Revisions	
Ⓐ	First Released.