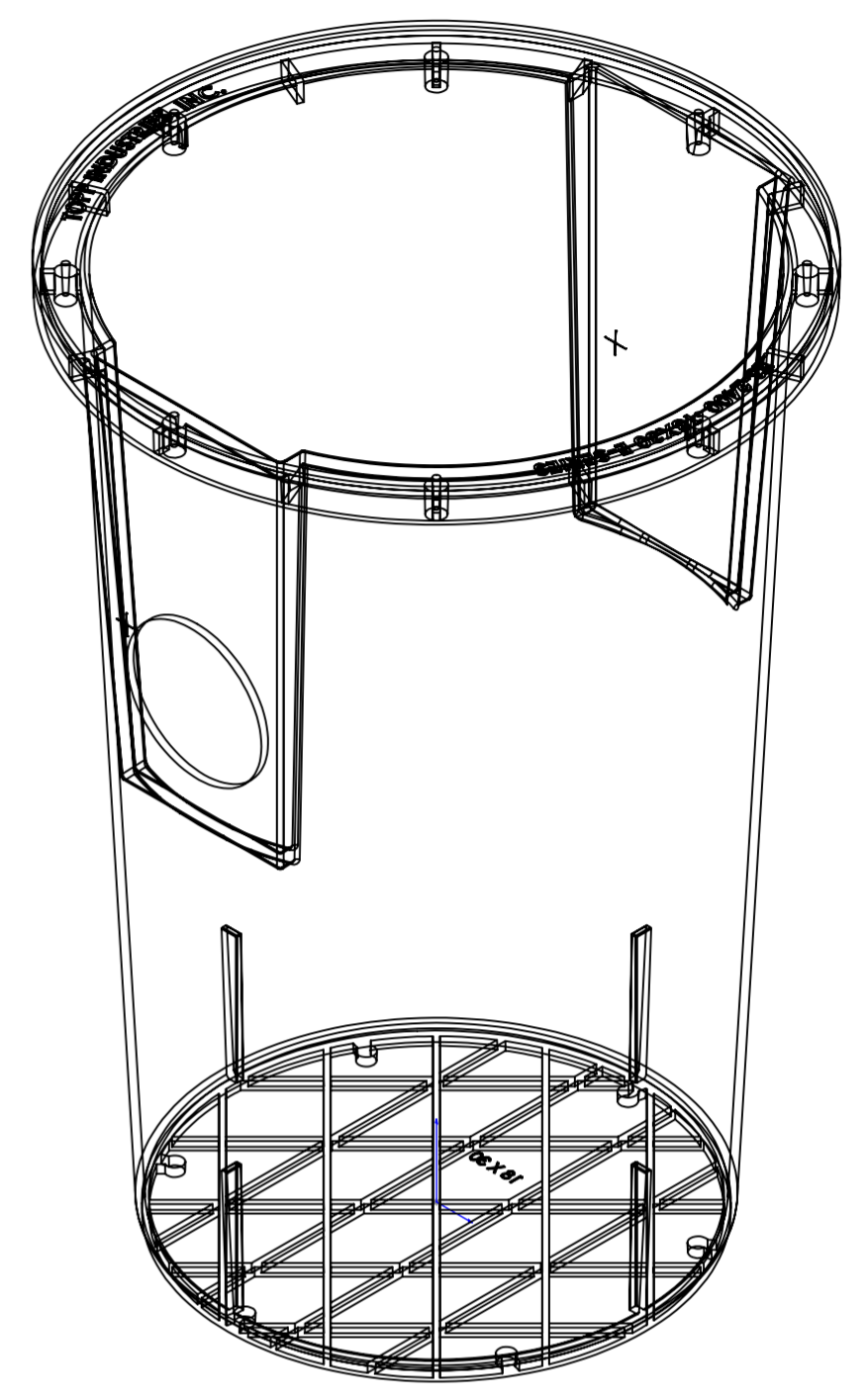
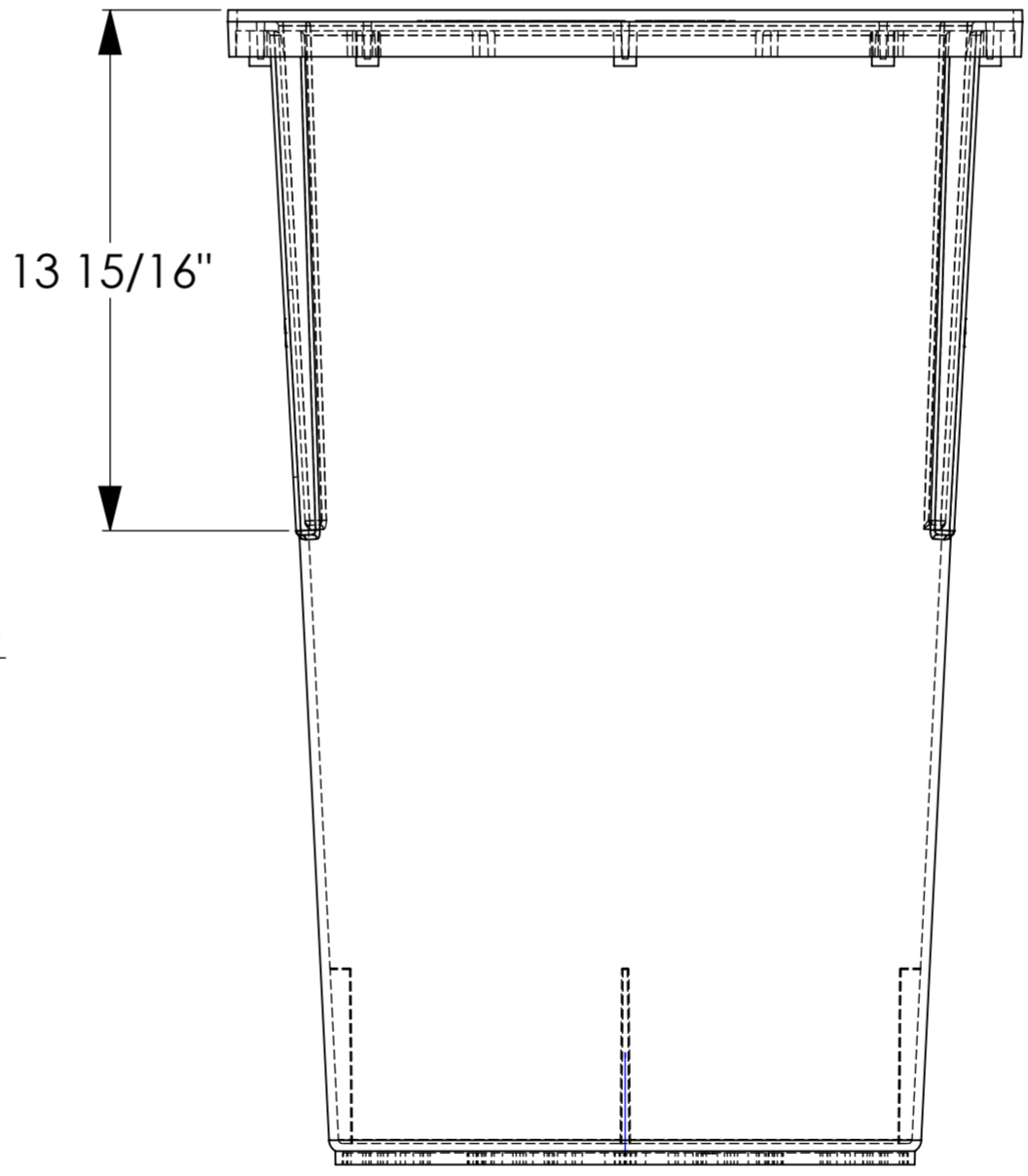
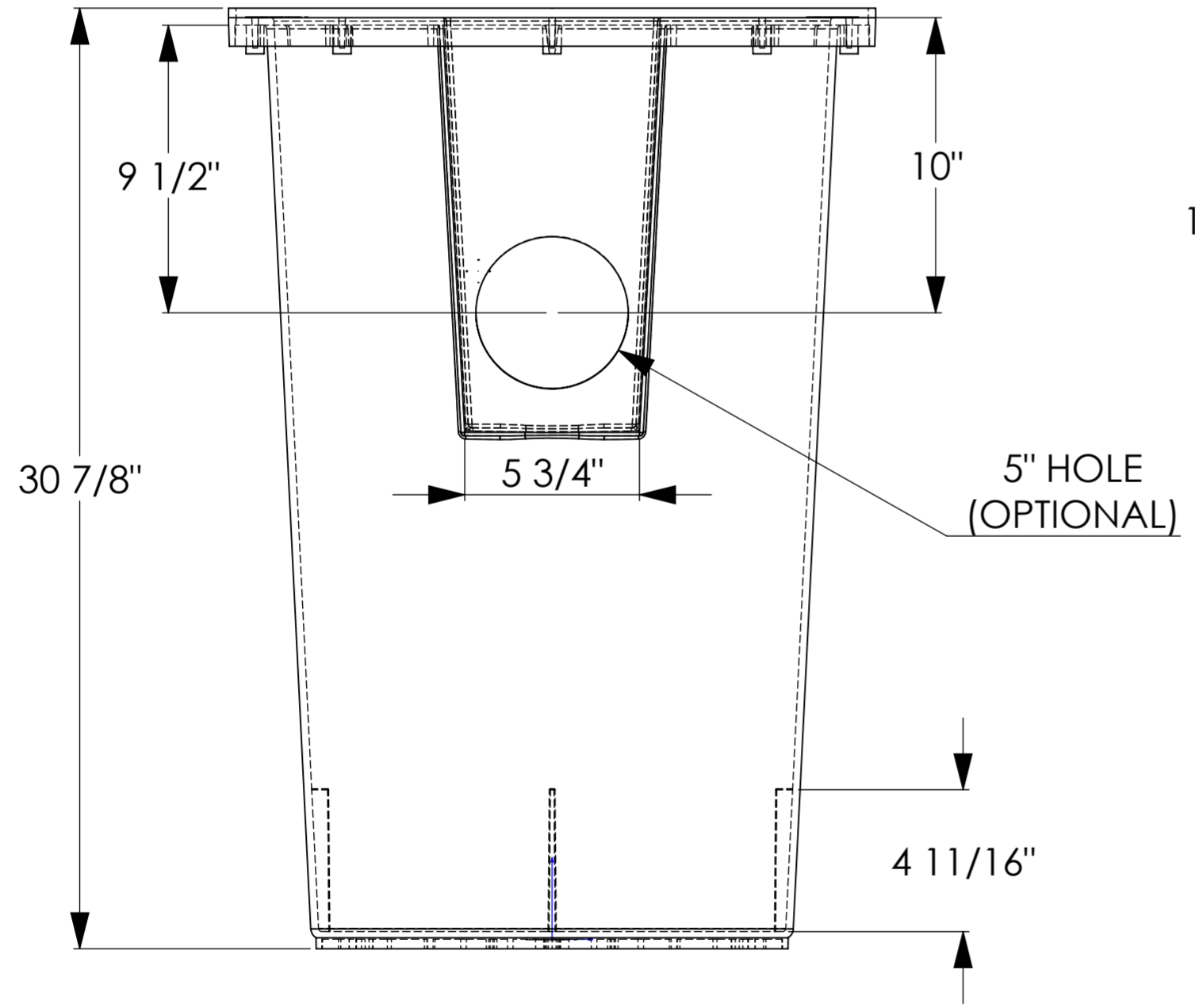


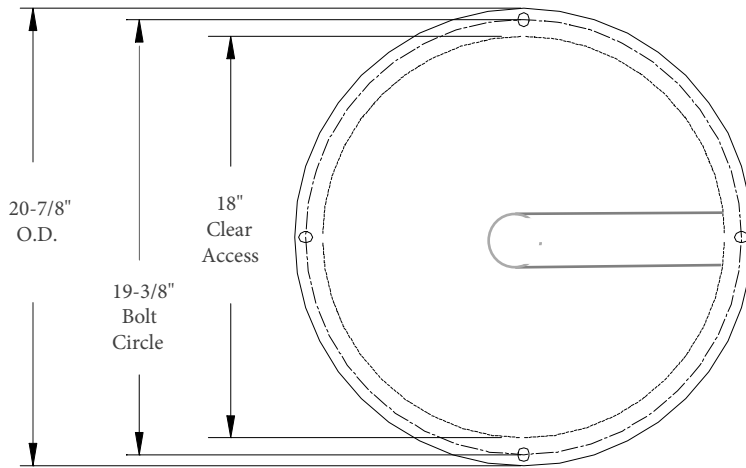
(8) MOLDED IN BOSSES,  
CLOSED END, PRE-PILOTTED  
FOR LAG FASTENERS



**TOPP**  
INDUSTRIES  
INCORPORATED  
P.O. BOX 420 ^ HWY. 25 N.  
ROCHESTER, IN. 46975  
(800) 354-4534 FAX: (574) 223-6106

UNLESS OTHERWISE SPECIFIED: DIMENSIONS ARE IN MILLIMETERS		PUMP & DISCONNECT:		DO NOT SCALE DRAWING		REVISION 00	
SURFACE FINISH:		SO:		PO:			
TOLERANCES:							
LINEAR:							
ANGULAR:							
DRAWN:	NAME	DATE				TITLE:	
CHK'D:	dg	7/17/2015				18X30 SF Basin FP Edit N March 19 2015	
APP'VD:						18X30 Structural Foam Basin	
MFG:						DWG NO.	
G.A.						E-Series 18x30 Basin	
						A2	
						SCALE:1:10	
						SHEET 1 OF 1	

# SLOTTED STRUCTURAL FOAM COVER



\* Stainless Steel Hardware & Gasket Tape For Gas Tight Seal Provided

Model C18SFE-18

**T** INDUSTRIES  
**TOPP**  
INCORPORATED

Reference:

Highway 25 North P.O. Box 420  
Rochester, IN 46976  
Phone: 800/354-4534 Fax: 574/223-6106

Scale: None

Drawn By: RM

App' d By:

Date:

This print is and contains confidential proprietary information owned exclusively by TOPP INDUSTRIES, INC. It is furnished on a strictly confidential basis. This restriction includes, but is not limited to the condition that this print will not only be used as a record or to identify or inspect parts or for other information purposes and will not be used to manufacture or procure the manufacture of the items shown in this print by any other source than TOPP INDUSTRIES, INC.

7-19-16