

Take Control.
ION
StormPro®



WC33i

Sump Pump

- Basement Sump
- Septic Tank Effluent
- Dewatering



37 Forestwood Dr., Romeoville, IL 60446 www.ionstormpro.com [815] 886-9200

Patent No. 8,591,198

WC33i

Sump Pump

System Specifications

- Typical Applications
- Basement sump
 - Dewatering
 - Septic tank effluent

Maximum Capacity Up to 45 GPM

Maximum Head Up to 24'

Electrical Data 115 V, 1 Ø, 4 FLA, 60 Hz

Motor Data 1/3 HP, 3450 RPM

Recommended Minimum Basin Size 18" x 24"

Automatic Operation i: Ion Digital Level Control (standard)
V: Vertical

Manual Operation M: Manual

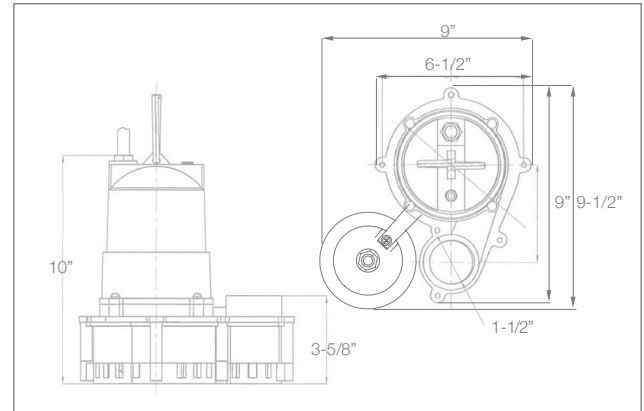
Materials of Construction Cast iron & engineered thermoplastic

Power Cord 10' Standard

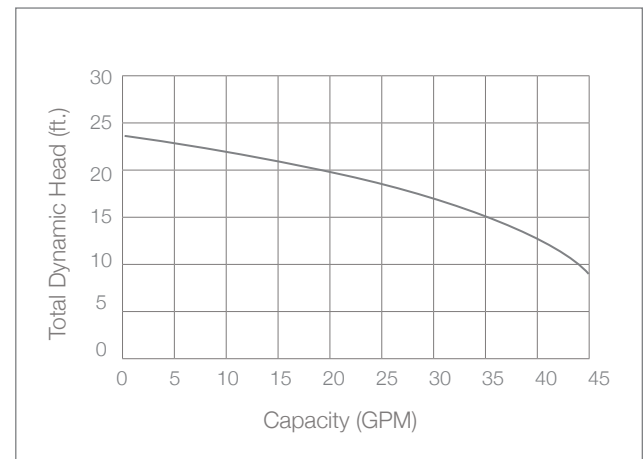
Discharge 1 1/2" NPT

Solids 1/2"

Pump Dimensions



Pump Performance



Features

- Carbon ceramic mechanical seal
- Oil-filled high efficiency PSC motor that uses half the AC power of most 1/3 HP pumps
- Piggyback Ion® digital level control switch has no moving parts (standard)
- Size allows 2 pumps in 18" basin
- 3 year warranty



N116 W18455 Morse Drive
Germantown, WI 53022
262-253-1353 / 800-234-5490
Fax: 262-253-1248

www.jimmurrayinc.com