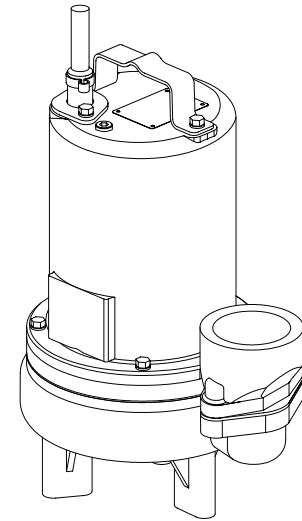


### Submersible Non-Clog Pumps

<b>DISCHARGE</b> .....	3" NPT, Female, Vertical, Bolt-on Flange
<b>LIQUID TEMPERATURE</b> .....	104°F (40°C) Continuous
<b>VOLUTE</b> .....	Cast Iron ASTM A-48, Class 30
<b>MOTOR HOUSING</b> .....	Cast Iron ASTM A-48, Class 30
<b>SEAL PLATE</b> .....	Cast Iron ASTM A-48, Class 30
<b>IMPELLER: Design</b> .....	Vortex, open, with pump out vanes on back side. Dynamically balanced, ISO G6.3
<b>Material</b> .....	Cast Iron ASTM A-48, Class 30
<b>SHAFT</b> .....	416 Stainless Steel
<b>SQUARE RINGS</b> .....	Buna-N
<b>HARDWARE</b> .....	300 Series Stainless Steel
<b>PAINT</b> .....	Air Dry Enamel
<b>SEAL: Design</b> .....	Single Mechanical
<b>Material</b> .....	Carbon/Ceramic/Buna-N
	Hardware -300 Series Stainless
<b>CORD ENTRY</b> .....	15 ft. (5m) Cord with plug on 120 volt & .5HP, 240 volt, 1 phase. Quick connect custom molded for sealing and strain relief
<b>UPPER BEARING</b> .....	Single Row, Ball, Oil lubricated
<b>LOWER BEARING</b> .....	Single Row, Ball, Oil lubricated
<b>MOTOR: Design</b> .....	NEMA L -Single Phase, NEMA B -Three phase Torque Curve, Oil Filled, Squirrel Cage Induction
<b>Insulation</b> .....	Class B
<b>SINGLE PHASE</b> .....	Permanent Split Capacitor (PSC) Includes Overload Protection in Motor
<b>THREE PHASE</b> .....	200-240/480 is Tri-Voltage. 600V. Requires Overload Protection to be included in control panel
<b>OPTIONAL EQUIPMENT</b> .....	Seal Material, Impeller Trims, Additional cord, Normally Closed Temperature Sensors with cord for 3 phase pumps (Requires relay in control panel).
<b>ACCESSORIES</b> .....	Break Away Fitting (BAF) Check Valve Control Panel

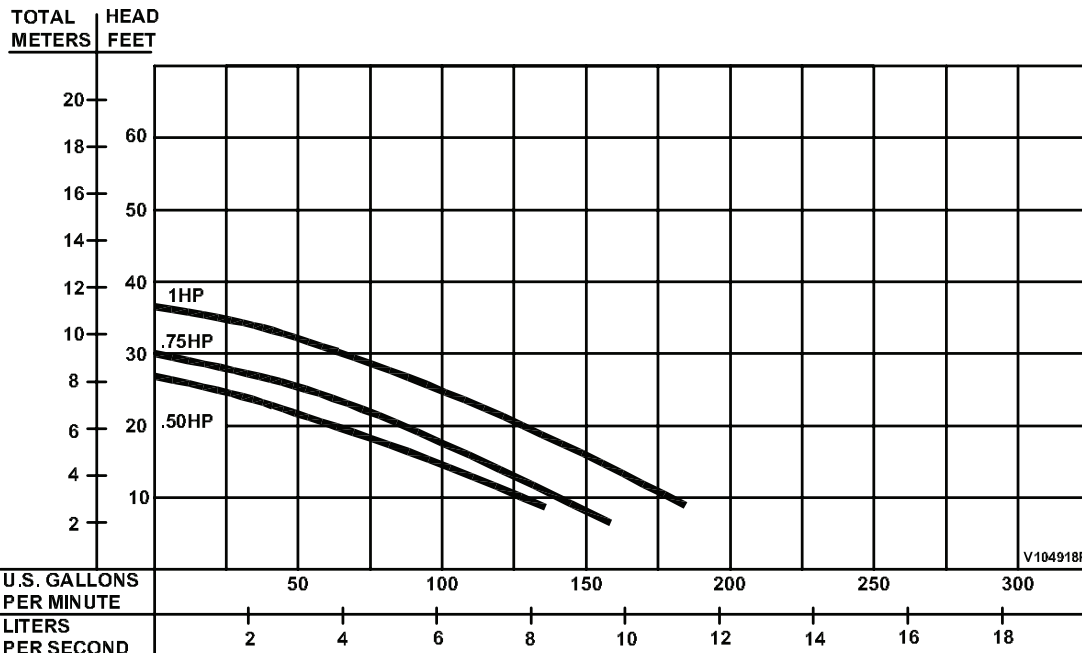


### Series: 3SEV-L .5 - 1 HP, 1750RPM, 60Hz



CSA 108 - File No. LR16567  
UL 778

**DESCRIPTION:**  
SUBMERSIBLE NON-CLOG SEWAGE PUMP DESIGNED FOR TYPICAL RAW SEWAGE APPLICATIONS



Testing is performed with water specific gravity of 1.0 @ 68°F (20°C), other fluids may vary performance

# Series 3SEV-L

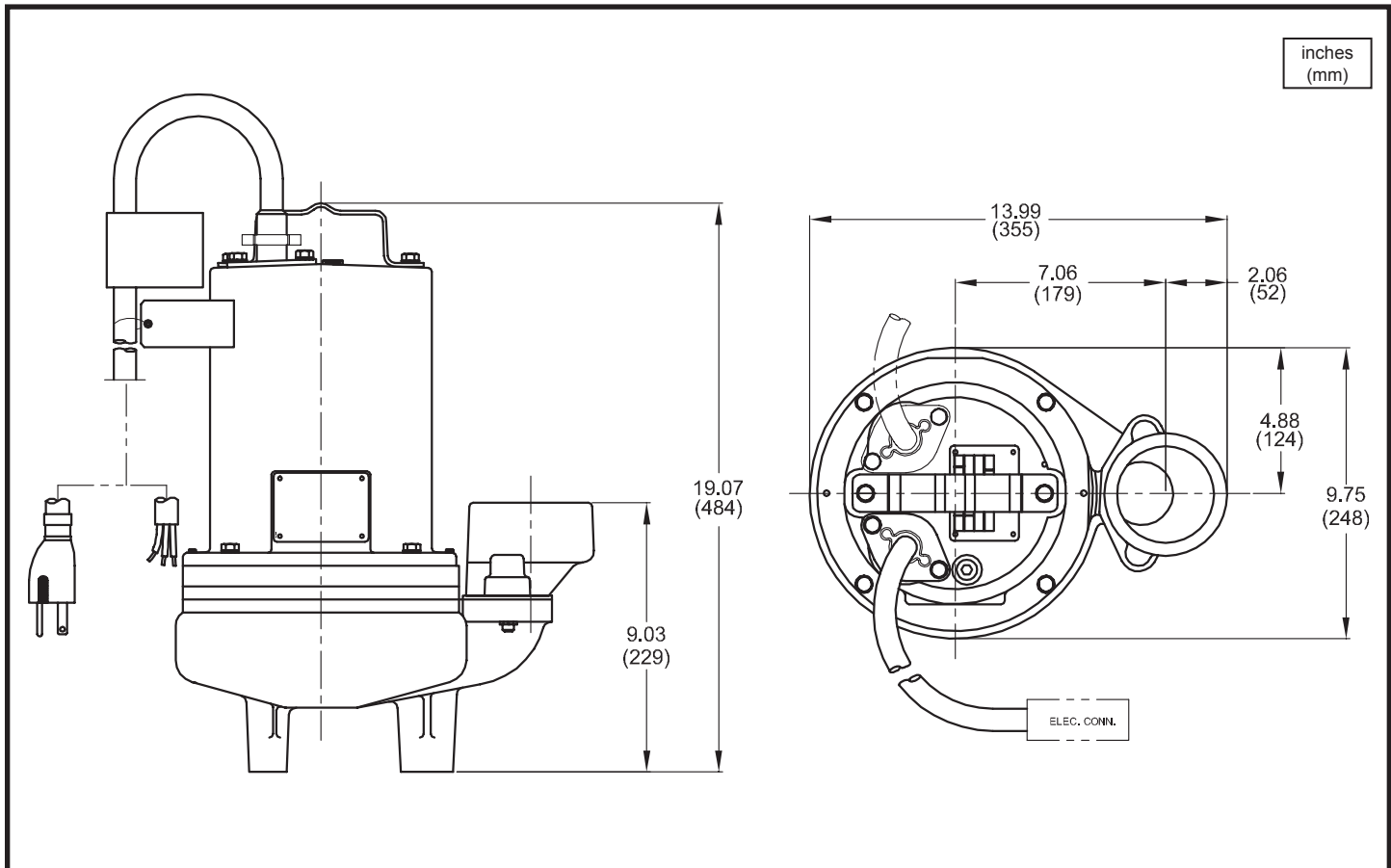
2" Spherical Solids Handling  
Vortex, Single Seal

# BARNES®

Professional Plumbing

www.cranepumps.com

## Submersible Non-Clog Pumps



MODEL NO	PART NO	HP	VOLT/PH	Hz	RPM (Nom)	NEMA START CODE	FULL LOAD AMPS	LOCKED ROTOR AMPS	CORD SIZE	CORD TYPE	CORD O.D inch (mm)
3SEV514L	104944	0.5	120/1	60	1750	F	12.0	21.3	14/3	SJTOW	0.375 (9.5)
3SEV524L	104945	0.5	240/1	60	1750	J	6.3	14.9	14/3	SOW	0.530 (13.5)
3SEV594L	104946	0.5	200-240/3	60	1750	H/L	3.7/3.8	9.8/11.0	14/4	SOW	0.570 (14.5)
3SEV544L	104947	0.5	480/3	60	1750	K	1.9	5.3	14/4	SOW	0.570 (14.5)
3SEV554L	104948	0.5	600/3	60	1750	H	1.4	3.4	14/4	SOW	0.570 (14.5)
3SEV724L	104954	0.75	200-240/1	60	1750	K	7.5/7.1	25.8	14/3	SOW	0.530 (13.5)
3SEV794L	104955	0.75	200-240/3	60	1750	H/K	4.8/4.6	13.7/15.4	14/4	SOW	0.570 (14.5)
3SEV744L	104956	0.75	480/3	60	1750	K	2.3	7.7	14/4	SOW	0.570 (14.5)
3SEV754L	104957	0.75	600/3	60	1750	L	1.6	7.2	14/4	SOW	0.570 (14.5)
3SEV1024L	104962	1.0	200-240/1	60	1750	G	9.0/8.5	25.8	14/3	SOW	0.530 (13.5)
3SEV1094L	104963	1.0	200-240/3	60	1750	E/H	5.3/5.1	13.7/15.4	14/4	SOW	0.570 (14.5)
3SEV1044L	104964	1.0	480/3	60	1750	H	2.5	7.7	14/4	SOW	0.570 (14.5)
3SEV1054L	104965	1.0	600/3	60	1750	J	2.2	7.2	14/4	SOW	0.570 (14.5)

OPTIONAL - Temperature sensor cord for 3 phase models is 14/3 SOW, 0.530 (13.5mm) O.D.

### IMPORTANT !

- 1.) PUMP MAY BE OPERATED "DRY" FOR EXTENDED PERIODS WITHOUT DAMAGE TO MOTOR AND/OR SEALS.
- 2.) INSTALLATIONS SUCH AS DECORATIVE FOUNTAINS OR WATER FEATURES PROVIDED FOR VISUAL ENJOYMENT MUST BE INSTALLED IN ACCORDANCE WITH THE NATIONAL ELECTRIC CODE ANSI/NFPA 70 AND/OR THE AUTHORITY HAVING JURISDICTION. THIS PUMP IS NOT INTENDED FOR USE IN SWIMMING POOLS, RECREATIONAL WATER PARKS, OR INSTALLATIONS IN WHICH HUMAN CONTACT WITH PUMPED MEDIA IS A COMMON OCCURRENCE.

SECTION D  
PAGE 40  
DATE 7/14

## CRANE®

A Crane Co. Company

## PUMPS & SYSTEMS

USA: (937) 778-8947 • Canada: (905) 457-6223 • International: (937) 615-3598