

StormPro

Battery Back-Up Power Supply

OPERATION MANUAL

Dated: 12/12/08

Supersedes: None

Document No.: SP-OM

Page 1 of 11



General Information

Thank you for purchasing your StormPro product. To help insure years of trouble free operation, please read the following manual carefully.

Before Operation

Reasonable care and safe methods should be practiced. Check local codes and requirements before installation. This manual contains important information for the safe use of this product. Read this manual completely before using this product and refer to it often for continued safe product use. **DO NOT THROW AWAY OR LOSE THIS MANUAL.** Keep it in a safe place so that you may refer to it when needed.

Warning

Always disconnect the Unit from the receptacle power source and battery before handling or making any adjustments to the system.

Battery Backup Warning:

1. Risk of electrical shock this Unit has not been investigated for use in outdoor areas.
2. Risk of electrical shock connect only to a properly grounded, three pronged grounding type receptacle. Under any circumstances do not remove the grounding prong from the power cord.
3. Do not smoke, use sparkable electrical devices or open flame when working on this Unit!
4. Do not install Unit in locations classified as hazardous per N.E.C., ANSI/NFPA 70 - 1999.
**FAILURE TO HEED ABOVE CAUTIONS
COULD RESULT IN INJURY OR DEATH.**

ATTENTION:

The StormPro Back Up System is only to be used with the StormPro Pump supplied with the Unit. Using anything other than the Pump supplied with the system will cause damage to the Unit and void the warranty.

TOOLS NEEDED:

A pipe wrench, pliers, adjustable wrench, and screwdriver will be needed.

BATTERY REQUIREMENTS:

Your Unit operates on 12VDC battery power when in the power fail mode, a UL recognized deep cycle marine battery should be used.

We recommend:

Metropolitan Industries

Power + Battery

Model# 27-AGM

Factory Tel: 800-323-1665

Installation Instructions

1. Open the lid on the battery enclosure and place the lower half of the battery enclosure with the Unit in a suitable place where a 120V three prong outlet is within reach of the receptacle power cord, and where water will not drip or splash on the Unit. It is also important to make sure that the fan inlets on each side of the battery back-up enclosure are free from obstructions. It is also recommended that the Unit be placed on a board or cinder block to keep it off the moist floor and free from debris.
2. After the battery box has been put in a suitable location the battery can be installed.

BATTERY INSTALLATION

A battery can present a risk of severe burns and injury from high short circuit current. The following precautions should be observed when working on batteries.

1. Remove watches, rings, or other metal objects.
2. Use tools with insulated handles.
3. Do not lay tools or metal parts on top of batteries.



StormPro

Battery Back-Up Power Supply

OPERATION MANUAL

Dated: 12/12/08

Supersedes: None

Document No.: SP-OM

Page 2 of 11

After taking the above precautions, lower the 12V battery into the enclosure with the terminals facing the front of the Unit where the indicator lights and battery cables are located. At this time check the polarity of your marine battery. Facing the front of the Unit, the left battery terminal should be positive, and the right negative. If this is not the case do not continue until the proper battery can be obtained. (Do not try to correct this problem in any other way than by using the proper battery).

Now that the battery has been installed with the terminals nearest to the red and black wires. **PLUG THE UNIT INTO A 120V OUTLET BEFORE CONNECTING THE BATTERY LEADS.** With the Unit plugged into the 120v outlet connect the battery leads to the marine battery making sure the red wire is connected to the positive terminal and black wire is connected to the negative terminal. Make sure all battery connections are properly tightened to 75 inch pounds. Then place the battery box cover back on the Unit and strap it down so that children cannot tamper with the Unit. At this time you may plug the high efficiency pump supplied with the System into the back of the piggyback plug on the Unit.

DO NOT PLUG ANYTHING OTHER PUMP THAN THE STORMPRO MODEL#BA-33V PUMP SUPPLIED WITH THE SYSTEM INTO THE POWER SUPPLY. DOING SO WILL VOID THE WARRANTY!

FUNCTIONS AND LIGHTS:

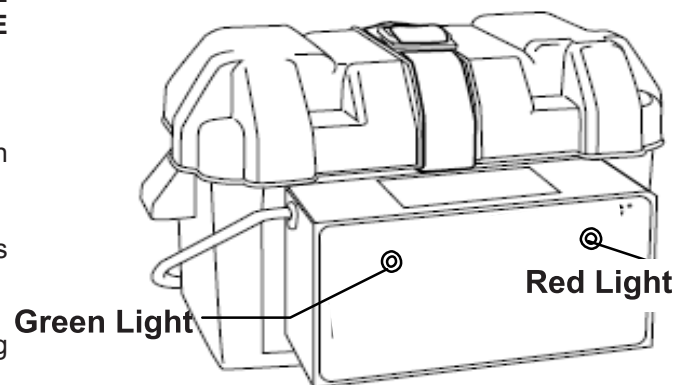
The **GREEN Power On** indicator light should remain on as long as standard line power is available.

1. Flashing **GREEN** light is normal and indicates that the battery is fully charged.
 - The green should remain flashing indicating that the system is ready for operation.
2. Continuously lit **GREEN** light indicates that the battery is charging.
 - The battery is charging due to normal discharge.
 - The system has run off of the battery and the

power supply is recharging the battery to its optimum level.

The **RED** Inverter/Battery On indicator light should only appear when the power is out or there is a problem with the system.

1. Single flashing **RED** light indicates a low battery.
 - The battery most likely needs to be replaced. Contact your installer or Metropolitan Industries for a compatible replacement battery.
2. Double Flashing **RED** light indicates the unit has overloaded.
 - The pump plugged into the power supply exceeds the power supply's rating of 5 amps. Only use a Stormpro 1/3HP pump Model # BA-33V with the StormPro power supply.
 - The pump is malfunctioning and is running at a higher amperage than normal. Most likely your pump will need to be repaired or replaced. Contact your installer or Metropolitan Industries for further assistance.



StormPro

Battery Back-Up Power Supply

OPERATION MANUAL

Dated: 12/12/08

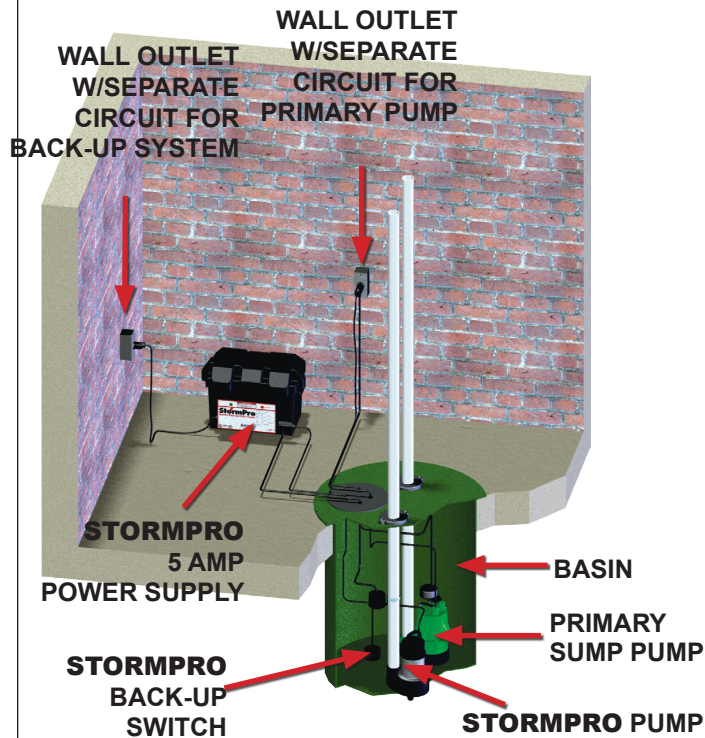
Supersedes: None

Document No.: SP-OM

Page 3 of 11

Installation Diagram

Note: The StormPro backup system and existing primary pump must be plugged into separate dedicated outlets

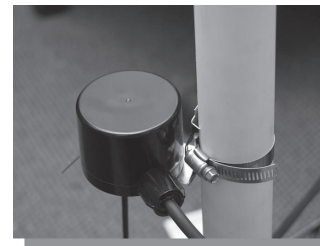


INSTALLING THE BACKUP PUMP:

Sump pump ON level must be lower than the back-up pump ON level. Set the backup pump switch higher than the primary switch.

1. Place the pump into the pit. Secure the discharge piping and attach the switch to the pipe. Make sure the switch ON level is at least 4 inches below the top of your pit and it is set at a level higher than the primary switch's ON level. Once in place, tighten the switch clamp securely to the pipe.
2. Once the switch is set in place and the discharge piping is properly installed, you can piggy back plug the pump and the switch into the receptacle located on the StormPro power supply. Then plug the power supply into the wall outlet.

3. Test run your system on AC power by activating the switch, then unplug the power supply from the electrical outlet and test the pump on DC power by activating the switch. Be sure to plug the power unit plug back into the wall outlet.



Switch
Clamped
Securely
To
Pipe

4. If battery voltage falls below a usable charge, PUMP WILL STOP:
 - Power loss (inverter on) light OFF
 - Battery charging light FLASH
 - Fully charged light OFF
5. Battery voltage may recover and allow brief periods of Operation.

Testing

To test the Unit simply unplug it from the receptacle add water to sump until pump pumps sump down. Only run the Pump supplied with the Battery Back-Up System for a few cycles. You can repeat this if you wish but it is not necessary. If the Unit works the first time it is sure to work time and time again. Be sure that you remember to plug the Unit back into the receptacle after you have completed the test. NOTE: If while testing the Unit the Pump does not turn on, the following steps should be taken:

1. Check the charger and inverter lights to see if they are on.
2. Check the circuit breaker.
3. Plug the Pump you have plugged into the Unit directly into a live building receptacle. If the Pump runs, recheck all the battery connections, and battery voltage.
4. Check sump water level to see that Pump is being required to run.



StormPro

Battery Back-Up Power Supply

OPERATION MANUAL

Dated: 12/12/08

Supersedes: None

Document No.: SP-OM

Page 4 of 11

5. If the above items have been thoroughly checked and your pump will still not run when plugged into the Unit, remove the battery from the battery box as described in the assembly instructions and return the Unit to the place of purchase for repair or replacement.

Battery Maintenance

1. Servicing of batteries should be performed or supervised by personnel knowledgeable of batteries and the required precautions.
2. When replacing the battery, use the same type of battery: (see battery requirements for ordering information)
3. CAUTION-Do not dispose of battery in a fire. The battery may explode.
4. CAUTION-Do not open or mutilate the battery. Released electrolyte is harmful to the skin and eyes. It may be toxic.
5. CAUTION-A battery can present a risk of severe burn and injury from high short circuit current. The following precautions should be observed when working on batteries.
 - a. Wear full eye protection and clothing.
 - b. If electrolyte contacts the skin, wash it off immediately.
 - c. If electrolyte contacts the eyes, flush thoroughly and immediately with water. Seek medical attention.
 - d. Spilled electrolyte should be washed down with a suitable acid neutralizing agent. A common practice is to use a solution of approximately one pound (500 grams) bicarbonate of soda to approximately
6. Use tools with insulated handles.
7. Do not lay tools or metal objects on top of batteries.
8. CAUTION-The electrolyte is a dilute sulfuric acid that is harmful to the skin and eyes. It is electrically conductive and corrosive. The following procedures should be observed:
 - a. Wear full eye protection and clothing.
 - b. If electrolyte contacts the skin, wash it off immediately.
 - c. If electrolyte contacts the eyes, flush thoroughly and immediately with water. Seek medical attention.
 - d. Spilled electrolyte should be washed down with a suitable acid neutralizing agent. A common practice is to use a solution of approximately one pound (500 grams) bicarbonate of soda to approximately

one gallon (4 liters) of water. The bicarbonate of soda solution be added until the evidence of reaction (foaming) has ceased. The resulting liquid should be flushed with water and the area dried.

e. CAUTION- Lead acid batteries can present a risk of fire because they generate hydrogen gas. The following procedures should be followed:

f. DO NOT SMOKE when near batteries.

g. DO NOT cause flame or spark in battery area.

h. Discharge static electricity from body before touching batteries by first touching a grounded metal surface.

9. See battery manufacturers installation manual for additional battery installation and maintenance instructions. You're Unit has been designed to be virtually maintenance free. Just make sure it is kept clean and dry and that the Unit is periodically tested.

Warranty is VOID if...

1. Power cord has been cut or the grounding prong has been removed.
2. Unit has been used in an outdoor application.
3. Batteries not meeting the above specifications have been used.
4. Unit has been submerged in water.
5. Unit has been tampered with in any manor not described in the above instructions.
6. Unit has been disassembled by customer.
7. Unit has been applied to products exceeding the maximum capacity of the Unit.
8. Unit has been applied to the wrong voltage.
9. The StormPro Back-Up System is used with any other pump than the StormPro BA-33V 1/3hp pump.



Warranty

1. Coverage and Term. Metropolitan Industries, Inc. (“**Metropolitan**”) warrants to the original purchaser (the “Buyer”) of each Metropolitan product (the “product”), that any part thereof which proves to be defective in material or workmanship within one (1) year from date of installation or 18 months from the date of manufacture, whichever comes first, will be replaced at no charge with a new or remanufactured part, F.O.B. factory. Buyer shall be responsible for all freight charges and all costs of field labor or other charges incurred in the removal and/or reinstallation of any product, part or component thereof.
2. Exclusions. **THE WARRANTY IS SUBJECT TO THE FOLLOWING CONDITIONS AND EXCLUSIONS:**
 - (a) The Warranty excludes products or workmanship which becomes defective as a result of: (i) earthquake, fire, storms, the elements or any other acts of God; (ii) normal wear and tear from use; (iii) accident, misuse, abuse or neglect ; (iv) modifications made by Buyer or any third party, other than **Metropolitan**; and (v) Buyer’s failure to properly install, maintain, service and/or operate the product under normal conditions and according to manufacturer’s instructions.
 - (b) **Metropolitan** shall not be responsible for, and the Warranty shall not cover, extended damage which occurs because of Buyer’s failure to notify **Metropolitan** promptly in writing of apparent defects.
 - (c) Any part or component designated as manufactured by anyone other than **Metropolitan** shall be covered only by the express warranty of the manufacturer thereof.
 - (d) The Warranty shall lapse upon Buyer’s failure to fully comply with the terms and conditions of its contract with **Metropolitan**, including Buyer’s failure to pay the purchase price for the product or any portion thereof. Buyer’s subsequent compliance with the terms and conditions of any such contract, will not cause the term of the Warranty to extend beyond the time period set forth above.
 - (e) No actions taken by **Metropolitan** to correct a defect in a product shall extend the Warranty beyond the period set forth above. **Metropolitan** shall not be obligated to remedy any defect, where otherwise required pursuant to the Warranty unless and until Buyer notifies **Metropolitan** in writing of the defect and then only if such notification is made prior to the expiration of the period set forth above.
3. Process of Claims and Repairs. **Metropolitan** agrees that if the product or any part or component thereof shall fail to conform to the terms of this Warranty, **Metropolitan** shall replace such nonconforming product, part or component at the original point of delivery and furnish instruction for its disposition. Any transportation charges involved in such disposition and all costs of field labor or other charges incurred in the removal and/or reinstallation of any product, part or component thereof shall be the responsibility of Buyer.
4. Limitation on Liability. Notwithstanding any provision to the contrary, **Metropolitan’s** entire liability under this Warranty shall not in the aggregate exceed, and Buyer’s exclusive and sole remedies are, to the extent permitted by law, shall be to secure replacement of the defective product. **UNDER NO CIRCUMSTANCES SHALL METROPOLITAN BE LIABLE UNDER THE WARRANTY FOR ANY INDIRECT, PUNITIVE, SPECIAL, EXEMPLARY, CONSEQUENTIAL OR INCIDENTAL DAMAGES (INCLUDING LOST PROFITS, REVENUE, USE OR ECONOMIC ADVANTAGE).**
5. Express Waiver of Any Other Warranties. **THE EXPRESS WARRANTY SET FORTH IN THIS WRITTEN WARRANTY IS THE ONLY WARRANTY MADE BY METROPOLITAN, OR ANY OTHER PARTY, IN CONNECTION WITH ANY PRODUCT PURCHASED FROM METROPOLITAN. NEITHER METROPOLITAN, NOR ANY OTHER PARTY, MAKES ANY OTHER EXPRESS OR IMPLIED WARRANTY WHICH IS NOT SET FORTH HEREIN, AND METROPOLITAN HEREBY DISCLAIMS AND BUYER HEREBY WAIVES ALL IMPLIED WARRANTIES, INCLUDING THE IMPLIED WARRANTY OF MERCHANTABILITY AND THE IMPLIED WARRANTY OF FITNESS FOR A PARTICULAR PURPOSE.**
6. Not Transferable. The Warranty may not be transferred and shall be void on the sale or other transfer of the product.
7. Products and Warranty Subject to Change. **Metropolitan** reserves the right to make revisions to its products and their specifications, and to revise this Warranty and related information without notice.

REMEMBER TO RETURN YOUR WARRANTY CARD...



StormPro

Battery Back-Up Power Supply

OPERATION MANUAL

Dated: 12/12/08

Supersedes: None

Document No.: SP-OM

Page 6 of 11

FRENCH VERSION



StormPro

Battery Back-Up Power Supply

OPERATION MANUAL

Dated: 12/12/08

Supersedes: None

Document No.: SP-OM

Page 7 of 11



Informations générales

Merci d'acheter votre produit de StormPro. Pour aider à assurer des années d'opération sans panne, lisez svp le manuel suivant soigneusement.

Avant opération

Le soin raisonnable et les méthodes sûres devraient être pratiqués. Vérifiez les codes locaux et les conditions avant installation. Ce manuel contient l'information importante pour l'usage sûr de ce produit. Lisez ce manuel complètement avant utilisation ce produit et se rapportent à lui souvent pour l'usage sûr continu de produit. **NE JETEZ PAS OU PERDEZ CE MANUEL.** Maintenez-le dans un endroit sûr de sorte que vous puissiez se référer à lui une fois nécessaire.

Avertissement

Démontez toujours l'unité de la source d'énergie de réceptacle et la batterie avant de traiter ou faire tous les ajustements au système.

Avertissement de support de batterie :

1. Risquez du choc électrique que cette unité n'a pas été étudiée pour l'usage dans des secteurs extérieurs.
2. Le risque de choc électrique mettent seulement correctement à une terre, trois le type au sol en plusieurs directions réceptacle. Dans aucune circonstance n'enlevez pas la fourche fondante du cordon de secteur.
3. Ne fumez pas, n'employez pas les dispositifs électriques sparkable ou la flamme nue en travaillant à cette unité !
4. N'installez pas l'unité dans les endroits classifiés comme dangereux par N.E.C., ANSI/NFPA 70 - 1999. **FAILURE À L'ATTENTION AU-DESSUS DES ATTENTIONS POURRAIT AVOIR COMME CONSÉQUENCE LES DOMMAGES OU LA MORT.**

ATTENTION:

Le système de secours de StormPro doit être employé seulement avec la pompe de StormPro fournie avec l'unité. Utilisant n'importe quoi autre que la pompe fournie avec le système endommagera

l'unité et videra la garantie.

LES OUTILS ONT EU BESOIN : Une clé à tube, des pinces, la clé réglable, et le tournevis seront nécessaires.

CONDITIONS DE BATTERIE :

Votre unité opère la puissance de la batterie 12VDC quand en mode d'échouer de puissance, une UL. la batterie marine identifiée de cycle profond devrait être utilisée.

Nous recommandons :

Puissance métropolitaine

+ batterie d'industries

Model# 27-AGM

Téléphone d'usine : 800-323-1665

Instructions d'installation

1. Ouvrez le couvercle sur la clôture de batterie et placez la moitié inférieure de la clôture de batterie avec l'unité dans un endroit approprié étaient une sortie de la fourche 120V trois est dans la portée du cordon de secteur de réceptacle, et était l'eau ne s'égouttera pas ou n'éclaboussera pas sur l'unité. Il est également important de s'assurer que les admissions de ventilateur de chaque côté de la clôture de support de batterie sont exemptes des obstructions. On lui recommande également que l'unité soit placée sur un bloc de conseil ou de cendre pour le garder outre du plancher moite et exempt des débris.
2. Après que la boîte de batterie ait été mise dans un endroit approprié la batterie peut être installée.

INSTALLATION DE BATTERIE

Une batterie peut présenter un risque de brûlures graves et des dommages du courant élevé de court-circuit. On devrait observer les précautions suivantes en travaillant aux batteries.

1. Enlevez les montres, les anneaux, ou d'autres objets en métal.
2. Utilisez les outils avec les poignées isolées.
3. N'étendez pas les outils ou les pièces en métal sur des batteries.



StormPro

Battery Back-Up Power Supply

OPERATION MANUAL

Dated: 12/12/08

Supersedes: None

Document No.: SP-OM

Page 8 of 11

Après la prise des précautions ci-dessus, abaissez le 12V batterie dans la clôture avec les bornes faisant face à l'avant de l'unité où les voyants de signalisation et les câbles de batterie sont localisés. Actuellement contrôle la polarité de votre batterie marine. Faisant face à l'avant de l'unité, la borne gauche de batterie devrait être positive, et le bon négatif. Si ce n'est pas le cas ne continuez pas jusqu'à ce que la batterie appropriée puisse être obtenue. (N'essayez pas de corriger ce problème d'aucune autre manière qu'en utilisant la batterie appropriée).

Maintenant que la batterie a été installée avec les bornes les plus proches des fils rouges et noirs. BRANCHEZ L'UNITÉ À une SORTIE 120V AVANT DE RELIER Les CÂBLES DE BATTERIE. L'unité étant branché à la sortie 120v reliez câble de batterie à la batterie marine en veillant que le fil rouge est relié au positif le fil terminal et noir est relié à la borne négative. Assurez-vous que tous les raccordements de batterie sont correctement serrés à 75 livres -pouce. Placez alors la couverture de boîte de batterie en arrière sur l'unité et attachez-la vers le bas de sorte que les enfants ne puissent pas trifouiller l'unité. Actuellement vous peut brancher la pompe de rendement élevé fournie avec le système au dos de la prise de ferroutage sur l'unité.

NE BRANCHEZ RIEN L'AUTRE POMPE QUE LA POMPE DE STORMPRO MODEL#BA-33V FOURNIE AVEC LE SYSTÈME À L'ALIMENTATION D'ÉNERGIE. FAIRE AINSI VIDERA LA GARANTIE !

FONCTIONS ET LUMIÈRES :

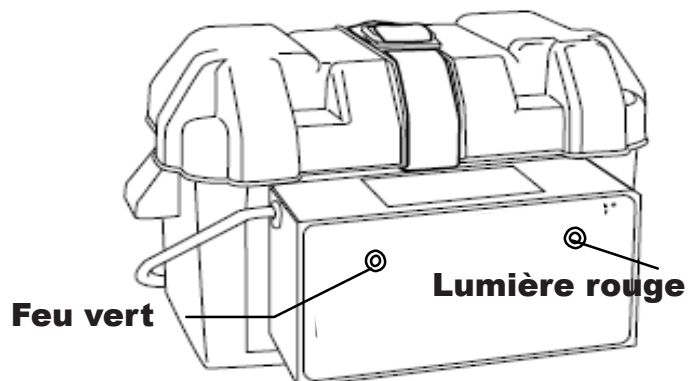
La lumière **VERTE** d'indicateur de mise en marche devrait rester allumée tant que la ligne standard puissance est disponible.

- Le feu **VERT** de clignotant est normal et indique que la batterie est entièrement chargée.
- Le **vert** devrait demeurer clignotant indiquant que le système est prêt pour l'opération.
- 1. Le feu **VERT** sans interruption allumé indique que la batterie charge.
- La batterie est remplissage dû à la décharge normale.

- Le système a coulé de la batterie et l'alimentation d'énergie recharge la batterie à son niveau optimum.

L'inverseur/batterie **ROUGES** sur le voyant de signalisation devrait seulement apparaître quand la puissance est dehors ou il y a un problème avec le système.

1. La lumière **ROUGE** simple instantané indique une basse batterie.
- La batterie doit très probablement être remplacée. Entrez en contact avec votre installateur ou industries métropolitaines pour une batterie compatible de rechange.
2. La double lumière **ROUGE** instantané indique que l'unité a surchargé.
- La pompe branchée à l'alimentation d'énergie dépasse l'estimation de l'alimentation d'énergie de 5 ampères. Employez seulement un modèle de pompe de Stormpro 1/3HP # BA-33V avec l'alimentation d'énergie de StormPro.
 - La pompe fonctionne mal et fonctionne à un ampérage plus élevé que la normale. Très probablement votre pompe devra être réparé ou remplacée. Entrez en contact avec votre installateur ou industries métropolitaines pour davantage d'aide.



StormPro

Battery Back-Up Power Supply

OPERATION MANUAL

Dated: 12/12/08

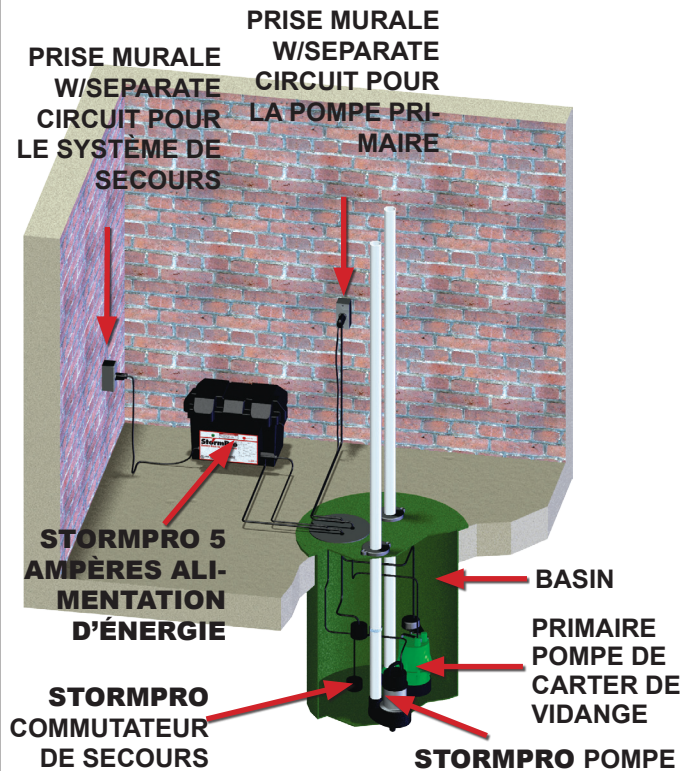
Supersedes: None

Document No.: SP-OM

Page 9 of 11

Diagramme d'installation

Note : Le réseau de réserve de StormPro et la pompe primaire existante doivent être branchés aux sorties consacrées séparées



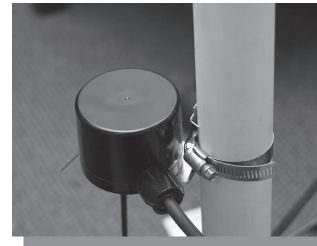
INSTALLATION DE LA POMPE DE SECOURS :

La pompe de carter de vidange au niveau doit être inférieure à la pompe de secours au niveau. Placez le commutateur de secours de pompe plus haut que le commutateur primaire.

1. Placez la pompe dans le puits. Fixez la tuyauterie de décharge et attachez le commutateur dans la pipe. Assurez-vous que le commutateur au niveau est au moins de 4 pouces au-dessous du dessus de votre puits et il est placé à un plus haut de niveau que le commutateur primaire au niveau. Une fois qu'en place, serrez la bride de commutateur solidement dans la pipe.

Une fois que le commutateur est placé en place et la tuyauterie de charge de DI est correctement installée, vous pouvez ferouter la prise la pompe et le commutateur dans le réceptacle a placé sur l'alimentation d'énergie de StormPro. Branchez alors l'alimentation d'énergie à la prise murale.

2. L'essai votre système sur le courant alternatif En actionnant le commutateur, débranchent alors l'alimentation d'énergie de la sortie électrique et examinent la pompe sur l'alimentation CC En actionnant le commutateur. Soyez sûr de brancher la prise d'unité de puissance de nouveau dans la prise murale.



Commutateur Maintenu Solidement à Pipe

3. Si la tension de batterie tombe au-dessous d'une charge utilisable, POMPEZ WILLSTOP :
 - Lumière de perte de puissance (inverseur dessus)
 - OUTRE de Battey chargeant le FLASH léger Lumière
 - entièrement chargée AU LOIN
4. La tension de batterie peut récupérer et accorder de brèves périodes d'opération.

Essai

Pour examiner l'unité débranchez simplement la du réceptacle ajoutent l'eau au carter de vidange jusqu'à ce que la pompe pompe le carter de vidange vers le bas. Courez seulement la pompe fournie avec le système de secours de batterie pour quelques cycles. Vous pouvez répéter ce si vous souhaitez mais lui n'est pas nécessaire. Si l'unité fonctionne la première fois il est sûr de travailler à maintes reprises. Soyez sûr que vous vous rappelez de brancher l'unité de nouveau dans le réceptacle après que vous ayez accompli l'essai. NOTE : Si tandis que l'examen de l'unité que la pompe ne s'allume pas, les étapes suivantes devrait être passé :

1. Vérifiez les lumières de chargeur et d'inverseur pour voir si elles sont allumées.
2. Vérifiez le disjoncteur
3. Branchez la pompe que vous avez branchée à l'unité directement dans un réceptacle de phase de bâtiment. Si la pompe fonctionne, revérifiez tous les raccordements de batterie, et la tension de batterie.



StormPro

Battery Back-Up Power Supply

OPERATION MANUAL

Dated: 12/12/08

Supersedes: None

Document No.: SP-OM

Page 10 of 11

4. Vérifiez le niveau d'eau de carter de vidange pour voir que la pompe est bien exigé pour courir.
5. Si les articles ci-dessus ont été complètement vérifiés et votre pompe néanmoins non couru quand branché à l'unité, enlevez la batterie de la boîte de batterie comme décrit dans les instructions d'assemblage et renvoyez l'unité à l'endroit de l'achat pour la réparation ou le remplacement.

Entretien de batterie

1. L'entretien des batteries devrait être assuré ou dirigé par le personnel bien informé des batteries et des précautions exigées.
2. En remplaçant la batterie, employez le même type de batterie : (voir les conditions de batterie pour l'information de commande)
 - Attention-ne vous débarrassez pas de la batterie dans un feu. La batterie peut éclater.
1. Attention-n'ouvrez pas ou ne mutilez pas la batterie. L'électrolyte libéré est nocif à la peau et aux yeux. Il peut être toxique.
2. La batterie de CAUTION-A peut présenter un risque de brûlure grave et des dommages du courant élevé de court-circuit. On devrait observer les précautions suivantes en travaillant aux batteries.
3. Utilisez les outils avec les poignées isolées.
4. Neatened pas les outils ou les objets en métal sur des batteries.
5. L'électrolyte d'Attention-Le est un acide sulfurique dilué qui est nocif à la peau et aux yeux. Il est électriquement conducteur et corrosif. On devrait observer les procédures suivantes :
 - a. Pleine protection et habillement d'oeil d'usage.
 - b. Si l'électrolyte entre en contact avec la peau, enlevez-la immédiatement.
 - c. Si l'électrolyte entre en contact avec les yeux, éclat complètement et immédiatement avec de l'eau. Attention médicale de recherche.
 - d. L'électrolyte renversé devrait être lavé vers le

bas avec un agent neutralisant acide approprié. Une pratique commune est d'employer une solution d'approximativement un bicarbonate de livre (500 grammes) de soude à approximativement un gallon (4 litres) de l'eau. Le bicarbonate de solution de soude soit ajouté jusqu'à l'évidence de la réaction (écumer) a cessé. Le liquide en résultant devrait être rincé avec l'eau et le secteur sec.

e. Les batteries d'acide de plomb d'ATTENTION peuvent présenter un risque du feu parce qu'elles produisent du gaz d'hydrogène. Les procédures suivantes devraient être suivies :

f. NE FUMEZ PAS quand près des batteries.

g. Ne causez pas la flamme ou n'étincelez pas dans le secteur de batterie.

h. Déchargez l'électricité statique du corps avant les batteries émouvantes en touchant d'abord une surface au sol en métal.

6. Voir le manuel d'installation de fabricants de batterie pour des instructions additionnelles d'installation et d'entretien de batterie. Vous êtes unité a été conçu pour être pratiquement exempt d'entretien. Assurez-vous juste qu'on le maintient propre et sec et que l'unité est périodiquement examinée.

La garantie est VIDE si...

1. Le cordon de secteur a été coupé ou la fourche fondante a été enlevée.
2. L'unité a été employée dans une application extérieure.
3. Des batteries ne répondant pas aux caractéristiques ci-dessus ont été utilisées.
4. L'unité a été submergée dans l'eau.
5. L'unité a été trifouillée dans n'importe quel manoir non décrit dans les instructions ci-dessus.
6. L'unité a été démontée par le client.
7. L'unité a été appliquée aux produits dépassant la capacité maximum de l'unité.
8. L'unité a été appliquée à la tension fausse.
9. Le système de secours de StormPro est employé avec n'importe quelle autre pompe que la pompe de StormPro BA-33V 1/3hp.



Garantie

1. Assurance et limite. Garanties de Metropolitan Industries, Inc. (la « métropolitaine ») à l'acheteur original (« l'acheteur ») de chaque produit métropolitain (le « produit »), que n'importe quelle partie en qui s'avère défectueuse dans le matériel ou l'exécution dans un délai d'un (1) an de date d'installation ou de 18 mois de la date de la fabrication, celui qui vient d'abord, sera remplacé à aucune charge par une nouvelle ou remanufactured partie, FRANCO À BORD usine. L'acheteur sera responsable de tout le coût du fret et de tous les coûts de travail de champ ou d'autres frais encourus dans le déplacement et/ou la réinstallation de n'importe quelle produit, partie ou composant en. 2. Exclusions. LA GARANTIE EST SUJETTE AUX CONDITIONS ET AUX EXCLUSIONS SUIVANTES : (a) La garantie exclut les produits ou l'exécution en raison dont devient défectueux : (i) tremblement de terre, feu, orages, les éléments ou toutes autres forces majeure ; (ii) usage normal et larme d'utilisation ; (iii) accident, abus, abus ou négligence ; (iv) modifications apportées par Buyer ou tout tiers, autre que la métropolitaine ; et (v) le manque de l'acheteur d'installer correctement, maintiennent, entretiennent et/ou actionnent le produit dans des conditions normales et selon les instructions du fabricant. (b) La métropolitaine ne sera pas responsable de, et la garantie ne couvrira pas, les dommages prolongés qui se produisent en raison du manque de l'acheteur d'informer la métropolitaine promptly par écrit des défauts apparents. (c) N'importe quelle partie ou composant indiqué en tant que manufacturé par n'importe qui autre que la métropolitaine sera couverte seulement par la garantie exprès du fabricant en. (d) La garantie passera sur le manque de l'acheteur de se conformer entièrement aux termes et conditions générales de son contrat avec la métropolitaine, y compris le manque de l'acheteur de payer le prix d'achat le produit ou n'importe quelle partie en. La conformité suivante de l'acheteur aux termes et conditions générales d'un tel contrat, ne fera pas prolonger la limite de la garantie au delà de la période de temps déterminée ci-dessus. (e) Une mesure prise par la métropolitaine pour corriger un défaut dans un produit ne prolongera pas la garantie au delà de la période déterminée ci-dessus. La métropolitaine ne sera pas obligée de ne remédier à d'aucun défaut, où autrement requis conformément à la garantie à moins qu'et jusqu'à l'acheteur informe la métropolitaine par écrit du défaut et puis seulement si un tel avis est fait avant l'expiration de la période déterminée ci-dessus. 3. Processus des réclamations et des réparations. La métropolitaine convient que si le produit ou n'importe quelle partie ou composant en ne se conformeront pas aux limites de cette garantie, la métropolitaine remplacera une telle produit, partie ou composant non conforme au point original de livraison et fournira l'instruction pour sa disposition. Tous les frais de transport impliqués dans une telle disposition et tous les coûts de travail de champ ou d'autres frais encourus dans le déplacement et/ou la réinstallation de n'importe quel produit, la partie ou le composant en seront la responsabilité de l'acheteur. 4. Limitation sur la responsabilité. Malgré aucune disposition à l'effet contraire, la responsabilité entière de la métropolitaine sous cette garantie dans l'agrégat ne dépassera pas, et l'acheteur exclusif et les remèdes uniques sont, jusqu'au degré autorisé par loi, devront fixer le remplacement du produit défectueux. EN AUCUN CAS LA MÉTROPOLITAINE SERA EXPOSÉE SOUS LA GARANTIE POUR DES DOMMAGES INDIRECTS, PUNITIFS, SPÉCIAUX, EXEMPLAIRES, CONSÉCUTIFS OU FORTUITS (BÉNÉFICES PERDUS Y COMPRIS, REVENU, UTILISATION OU AVANTAGE ÉCONOMIQUE). 5. Levée exprès de toutes autres garanties. LA GARANTIE EXPRÈS A DÉTERMINÉ DANS CETTE GARANTIE ÉCRITE EST LA SEULE GARANTIE FAITE PAR LA MÉTROPOLITAINE, OU N'IMPORTE QUELLE AUTRE PARTIE, EN LIAISON AVEC N'IMPORTE QUEL PRODUIT ACHETÉ À PARTIR DE LA MÉTROPOLITAINE. NI LA MÉTROPOLITAINE, NI N'IMPORTE QUELLE AUTRE PARTIE, NE FAIT N'IMPORTE QUELLE AUTRE GARANTIE EXPRÈS OU IMPLICITE QUI N'EST PAS DÉTERMINÉE CI-DESSUS, ET LA MÉTROPOLITAINE DÉMENT PAR CECI ET L'ACHETEUR ÉCARTE PAR CECI TOUTES LES GARANTIES IMPLICITES, Y COMPRIS LA GARANTIE IMPLICITE DE LA VALEUR MARCHANDE ET LA GARANTIE IMPLICITE DE LA FORME PHYSIQUE POUR UN BUT PARTICULIER. 6. Non transmissible. La garantie ne peut être transférée et sera vide en vente ou tout autre transfert du produit. 7. Produits et garantie sujet au changement. La métropolitaine se réserve le droit de faire des révisions à ses produits et à leurs caractéristiques, et de mettre à jour ces garantie et information relative sans communication préalable.



