

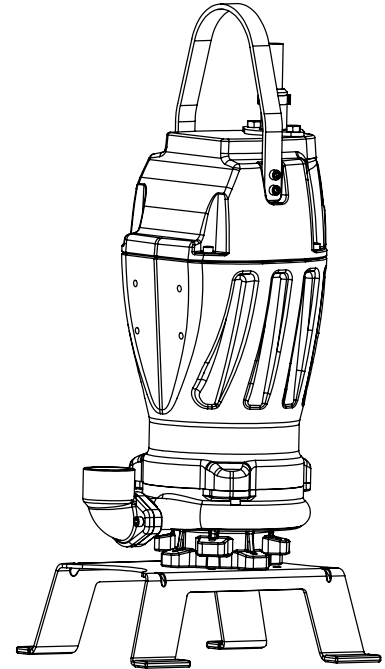
Submersible Grinder Pumps

Specifications:

DISCHARGE	1¼" NPT, Vertical, Bolt-on Flange
LIQUID TEMPERATURE	104°F (40°C) Continuous
VOLUTE	Cast Iron ASTM A-48, Class 30
MOTOR HOUSING	Cast Iron ASTM A-48, Class 30
SEAL PLATE	Cast Iron ASTM A-48, Class 30
IMPELLER: Design	12 Vane, Vortex, With Pump Out Vanes On Back Side. Dynamically Balanced, ISO G6.3.
Material	Cast Iron
CUTTER PLATE	Hardened 440C Stainless Steel Rockwell® C-55.
CUTTER	Hardened 440C Stainless Steel, Rockwell® C-55.
SHAFT	416 Stainless Steel
O-RING	Buna-N
HARDWARE	300 Series Stainless Steel
PAINT	Powder Coat
SEAL: Design	Single Mechanical
Material	Rotating Faces - Silicon-Carbide Stationary Faces - Silicon-Carbide Elastomer - Buna-N Hardware - 300 Series Stainless
CORD ENTRY	30 ft. (9.1 m) Std, Cord. Custom Molded Quick Connect, for Sealing and Strain Relief
CORD Manual	CSA/UL Approved 12/3 Type SOW
UPPER BEARING:	
Design	Single Row, Ball, Oil Lubricated
Load	Radial
LOWER BEARING:	
Design	Single Row, Ball, Oil Lubrication:
Load	Radial & Thrust
MOTOR: Design	NEMA L-Single Phase Torque Curve. Oil-Filled, Squirrel Cage Induction.
Insulation	Class F.
SINGLE PHASE	Capacitor Start/Capacitor Run.
OPTIONAL EQUIPMENT	Seal Material, Impeller Trims, Cord Length, Moveable Fitting

RECOMMENDED:

Accessories	Break Away Fitting (BAF) Check Valve Control Panel
--------------------------	--



Series: ZOGV
2HP, 3450RPM, 60Hz

RAZOR

Sample Specifications: Section 3 Page 11.

DESCRIPTION:

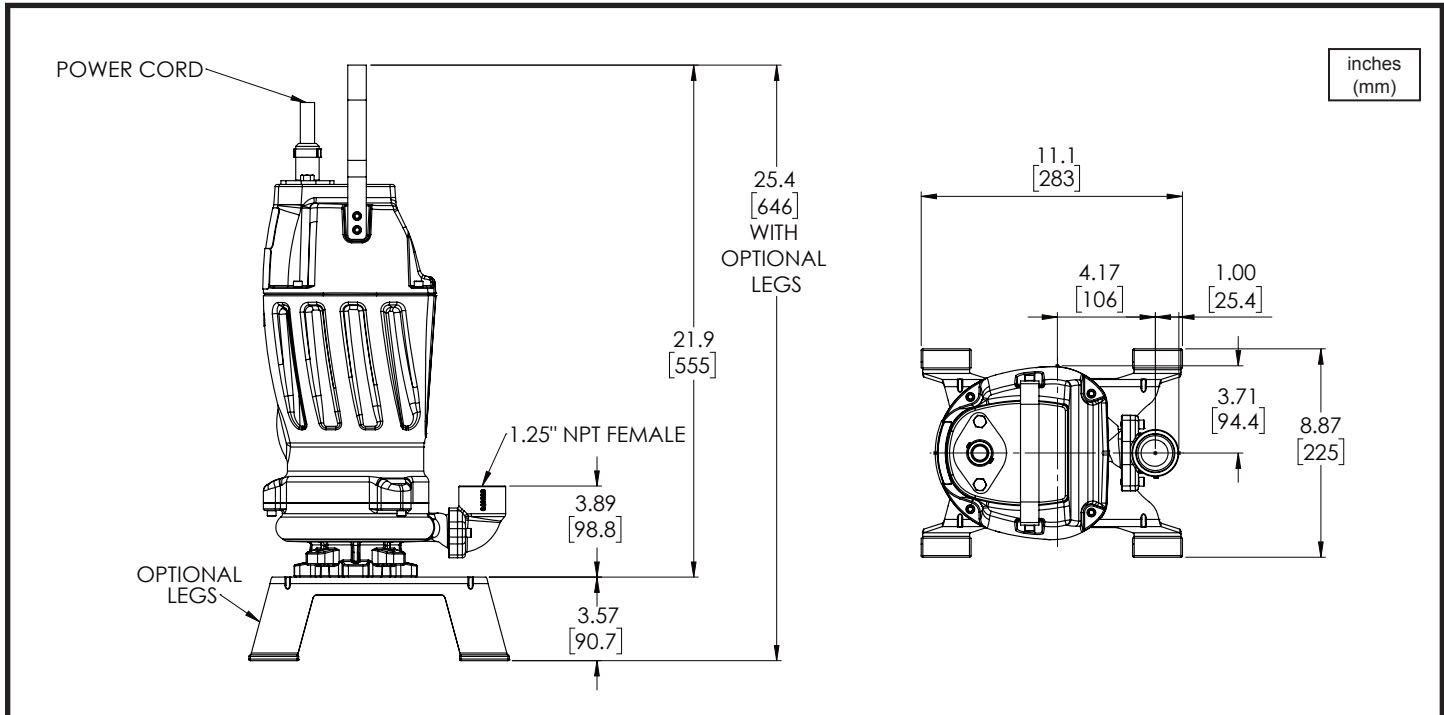
THE GRINDER PUMP IS DESIGNED TO REDUCE DOMESTIC, COMMERCIAL, INSTITUTIONAL AND LIGHT INDUSTRIAL SEWAGE TO A FINELY GROUND SLURRY.



WARNING:
CANCER AND REPRODUCTIVE HARM -
WWW.P65WARNINGS.CA.GOV



Submersible Grinder Pumps



MODEL NO	PART NO	HP	VOLT	PH/Hz	RPM (Nom)	NEMA START CODE	FULL LOAD AMPS	LOCKED ROTOR AMPS	CORD SIZE	CORD TYPE	CORD O.D. ± .02 (.5) in (mm)
ZOGV2072L	145351	2	208-240	1 / 60	3450	H	17.5-15.0	53.8	12/3	SOW	.61 (15.5)

IMPORTANT !

- 1.) PUMP MAY BE OPERATED "DRY" FOR EXTENDED PERIODS WITHOUT DAMAGE TO MOTOR AND/OR SEALS.
- 2.) INSTALLATIONS SUCH AS DECORATIVE FOUNTAINS OR WATER FEATURES PROVIDED FOR VISUAL ENJOYMENT MUST BE INSTALLED IN ACCORDANCE WITH THE NATIONAL ELECTRIC CODE ANSI/NFPA 70 AND/OR THE AUTHORITY HAVING JURISDICTION. THIS PUMP IS NOT INTENDED FOR USE IN SWIMMING POOLS, RECREATIONAL WATER PARKS, OR INSTALLATIONS IN WHICH HUMAN CONTACT WITH PUMPED MEDIA IS A COMMON OCCURRENCE.

Submersible Grinder Pumps

