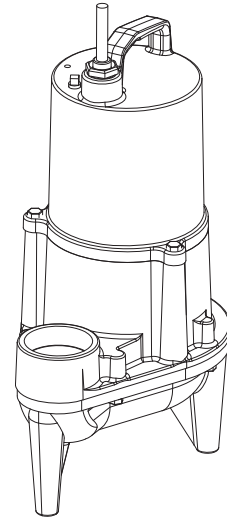


## Submersible Non-Clog Pumps

- DISCHARGE ..... 2" NPT, Female, Vertical
- LIQUID TEMPERATURE ..... 77°F (25°C) Continuous
- MOTOR HOUSING ..... Cast Iron
- PUMP BODY ..... Cast Iron
- IMPELLER: *Design* ..... Multi-Vane, Vortex
- Material* ..... Cast Iron
- SHAFT ..... 416 Stainless Steel
- O-RINGS ..... Buna-N
- HARDWARE ..... 300 Series Stainless Steel
- PAINT ..... Air Dry Enamel
- CORD ENTRY ..... 20 ft. (6m) Quick Disconnect Cord with  
plug on 115 Volt, Pressure Grommet for  
sealing and strain relief
- SEAL:     *Design* ..... Single Mechanical, Oil Filled Reservoir
- Material* ..... Carbon/Ceramic/Buna-N
- Hardware - 300 Series Stainless
- UPPER BEARING ..... Single Row, Ball, Oil Lubricated
- LOWER BEARING ..... Single Row, Ball, Oil Lubricated
- MOTOR:    *Design* ..... Oil Filled
- Insulation* ..... Class B
- SINGLE PHASE ..... Permanent Split Capacitor (PSC)
- Includes Overload Protection in Motor
- LEVEL CONTROL:
- SEV412 ..... None
- SEV412A ..... Wide Angle, Mechanical, 20 ft (6m) cord  
Pipe Mounted
- SEV412VF ..... Vertical Float, PVC, Snap Action
- SEV412VFT ..... Attached Vertical Float, PVC, Snap Action
- SEV412AT ..... Wide Angle, Mechanical, 20 ft (6m) cord  
Pump Mounted



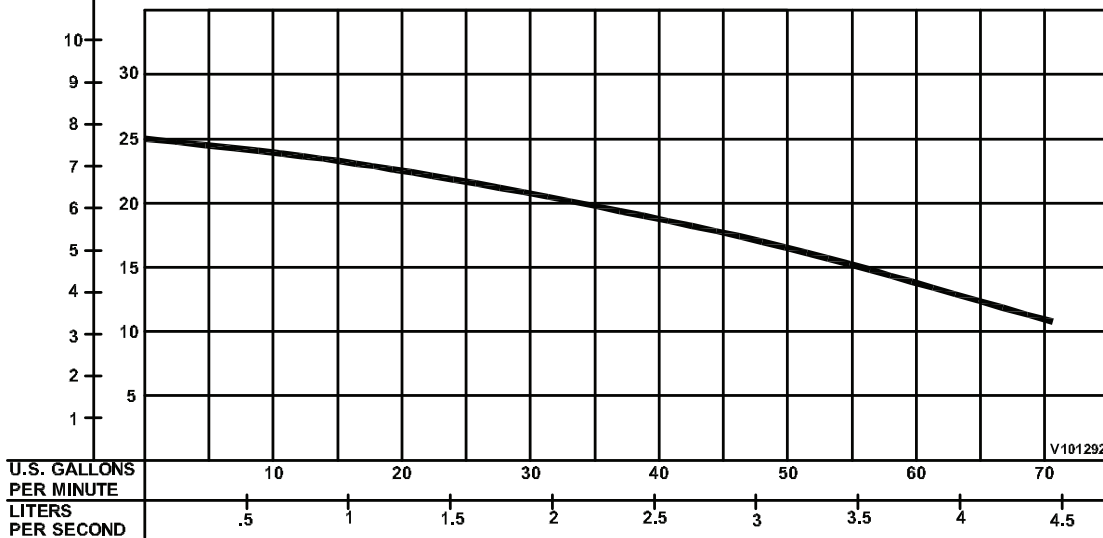
**Series: SEV**  
**0.5 HP, 3450RPM, 60Hz**

**DESCRIPTION:**  
SUBMERSIBLE NON-CLOG SEWAGE PUMP DESIGNED  
FOR TYPICAL RAW SEWAGE APPLICATIONS



**WARNING:**  
CANCER AND REPRODUCTIVE HARM -  
WWW.P65WARNINGS.CA.GOV

TOTAL HEAD  
METERS FEET



Testing is performed with water specific gravity of 1.0 @ 68°F (20°C), other fluids may vary performance

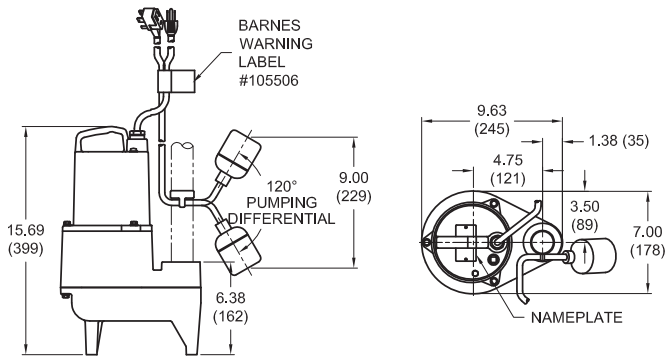
# Series SEV412

2" Spherical Solids Handling  
Manual & Automatic

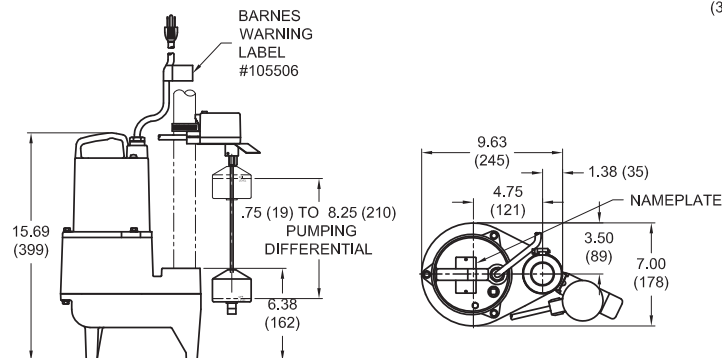
## Submersible Non-Clog Pumps

**SEV412A**  
**SEV412 (Less Float)**  
**SEV412AT (Attached to Motor Housing)**

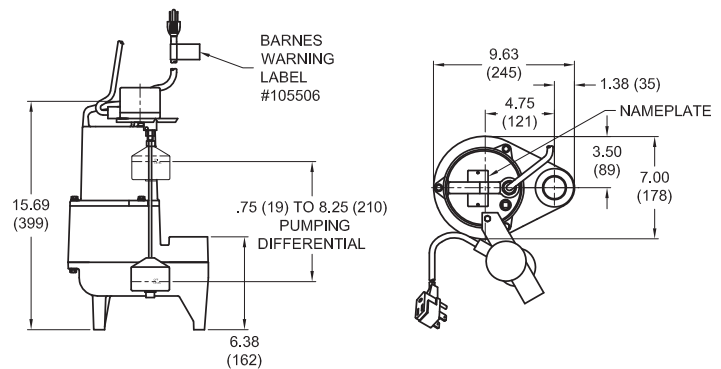
inches  
(mm)



**SEV412VF**



**SEV412VFT**



MODEL NO	PART NO	HP	VOLT/PH	Hz	RPM (Nom)	NEMA START CODE	FULL LOAD AMPS	LOCKED ROTOR AMPS	CORD LENGTH	CORD SIZE	CORD TYPE
SEV412	101292	0.5	115/1	60	3450	H	10.50	18.6	20 ft. (6m)	14/3	SJTOW
SEV412A	101293	0.5	115/1	60	3450	H	10.50	18.6	20 ft. (6m)	14/3	SJTOW
SEV412VF	101294	0.5	115/1	60	3450	H	10.50	18.6	20 ft. (6m)	14/3	SJTOW
SEV412AT	103544	0.5	115/1	60	3450	H	10.50	18.6	20 ft. (6m)	14/3	SJTOW
SEV412VFT	110404	0.5	115/1	60	3450	H	10.50	18.6	20 ft. (6m)	14/3	SJTOW

**IMPORTANT !**

- 1.) PUMP MAY BE OPERATED "DRY" FOR EXTENDED PERIODS WITHOUT DAMAGE TO MOTOR AND/OR SEALS.
- 2.) INSTALLATIONS SUCH AS DECORATIVE FOUNTAINS OR WATER FEATURES PROVIDED FOR VISUAL ENJOYMENT MUST BE INSTALLED IN ACCORDANCE WITH THE NATIONAL ELECTRIC CODE ANSI/NFPA 70 AND/OR THE AUTHORITY HAVING JURISDICTION. THIS PUMP IS NOT INTENDED FOR USE IN SWIMMING POOLS, RECREATIONAL WATER PARKS, OR INSTALLATIONS IN WHICH HUMAN CONTACT WITH PUMPED MEDIA IS A COMMON OCCURRENCE.